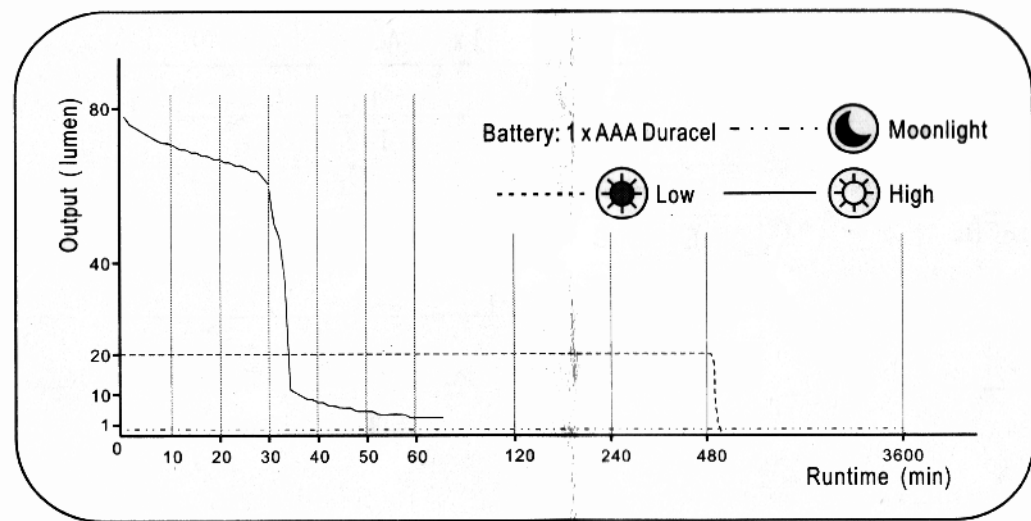


### OUTPUT VS RUNTIME



### WARRANTY

**Within 30 days of purchase:** Return to retailer from which you purchased for repair or replacement.

**Within 5 years of purchase:** Return to Olight for repair or replacement.

This warranty does not cover normal wear and tear, modifications, misuse, disintegrations, negligence, accidents, improper maintenance, or repair by anyone other than an Authorized retailer or Olight itself.



### BATTERY AND SAFETY WARNINGS

- Do not use unsupported batteries with this flashlight.
- Use caution on high outputs or long runtimes as flashlight may get hot.

**Technical Support Inquiries**  
techsupport@olightworld.us

**Customer Service**  
service@olightworld.com

Visit [www.olightworld.com](http://www.olightworld.com) to see our complete product line of portable illumination tools.



Olight Technology Co., Limited  
2/F East, Building A, B3 Block, Fuhai Industrial Park, Fuyong, Bao'an District, Shenzhen, China 518103

V2. JUNE 12, 2014      MADE IN CHINA



Came with my i3S-GD

**i3S EOS**  
KEYCHAIN LED FLASHLIGHT

### USER MANUAL



Thank you for purchasing the Olight i3S EOS flashlight! Please read this manual carefully before using this product.

### INSIDE THE BOX:

i3S EOS keychain flashlight, (2) o-rings, AAA battery, and user manual

[www.DrMemory.com/Olight](http://www.DrMemory.com/Olight)

## HOW TO OPERATE

**ON/OFF:** Fully tighten the head to turn flashlight on.

### CHANGE BRIGHTNESS LEVEL:

**(FIG A)** When the light is on, quickly twist the head of the flashlight counter-clockwise then clockwise. With each back and forth twist, the brightness levels will cycle up then repeat moonlight – low – high. Do not over loosen the head.

**STROBE: (FIG B)** To access strobe, quickly loosen and re-tighten the head through two moonlight – low – high cycles plus moonlight mode. The following twist results in strobe. Depending on the last used brightness level, this takes 6-8 twists. All twists must be completed within three seconds.

### BATTERY INSTALLATION

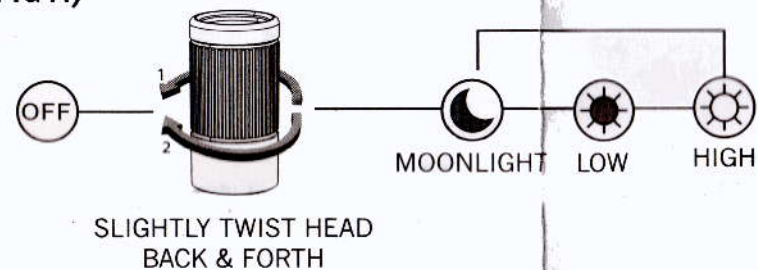
Ensure batteries are inserted with the positive (+) end pointing to the head. The i3S will not operate with incorrectly inserted batteries.

### SUPPORTED BATTERIES

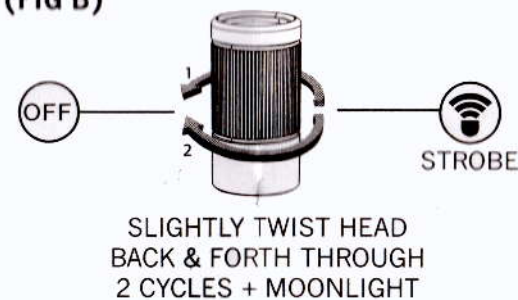
- 1 x AAA (included)



**(FIG A)**



**(FIG B)**



## SPECIFICATIONS

| OUTPUT & RUNTIME       |                                        |
|------------------------|----------------------------------------|
| HIGH                   | 80 LUMENS / 35 MIN                     |
| LOW                    | 20 LUMENS / 8 HRS                      |
| MOONLIGHT              | 0.5 LUMEN / 60 HRS                     |
| STROBE                 | 80 LUMENS (10HZ) / 1 HOUR              |
| LED                    | CREE XP-G2 LED                         |
| VOLTAGE                | 0.9V ~ 1.5V                            |
| CANDELLA               | 360 CD                                 |
| BEAM DISTANCE          | 38 METERS/ 111 FEET                    |
| BATTERY TYPE           | 1 x AAA ALKALINE or NIMH               |
| BODY TYPE              | TYPE-III HARD ANODIZED ALUMINUM(BLACK) |
| WATERPROOF             | IPX8 (UP TO 2 METERS)                  |
| IMPACT RESISTANCE      | 1.2 METERS                             |
| DIMENSIONS             | L 70mm x D 14mm / 2.75 in x 0.55 in    |
| WEIGHT without battery | 11g / 0.38 oz                          |

Note: Tests performed with 1x AAA alkaline 1.2V battery

All performance claims to ANSI/NEMA FL1-2009 Standard.