



# Operator's Manual

**SR92 Intimidator**

## Introduction

### SR92 Intimidator

SR92 is one member of high power LED flashlights series made by Olight, 3 CREE XM-L LEDs with independent aluminum alloy reflector inside, output luminous flux up to 1700 lumens maximum, smooth and wide light spot and long throw. Its active thermal management system guarantees the flashlight runs stably and safely.

It is the best choice for outdoor adventure, hunting, searching and rescuing.



.1.

## Specification

- **LED:** 3 x Cree XM-L T6
- **Reflector:** Smooth Reflector, aluminum alloy
- **Battery Pack:** 7.4V 6000mAh rechargeable
- **Output Luminous Flux/Runtimes:**
  - High Level: 1700 lumens /2.5 hours
  - Low Level: 450 lumens /11 hours
  - Strobe: 10Hz (frequency)
- **Dimension:** Head: D100mm Body: D48.4mm  
Total Length: 273mm
- **Material:** Aluminum alloy body with type-III hard anodization
- **Weight:** 1180g
- **Color:** Black
- **Accessories:** Strap x 1 ,Charger x 1, O-ring x 1 , Car charger x 1(optional)

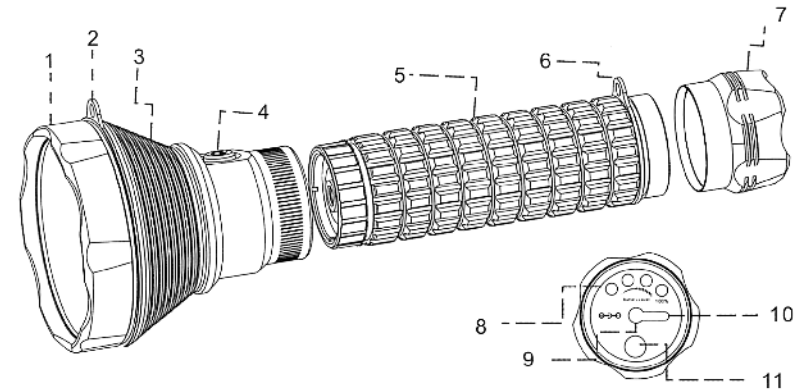
.2.

## Features

- 3 world-class CREE XM-L LEDs, output up to 1700 lumens max( OTF)
- 1000 meters long throw, smooth and large light spot can cover wide range
- Large capacity battery, the highest efficient synchronous buck circuit driver solution enable power save, once full charge can continually run around 11 hours
- Battery pack is compatible with SR90 and SR91
- One key for control operation
- Rugged indestructible aluminum body with anti-scratching type-III hard anodization. Engineered anti-slip knurling for tightly firm grip
- Deep grooves enlarge surface area, it greatly enhance passive heat dissipation ability
- ATM( Active Thermal Management) guarantees LEDs lifetime and avoids other possible accidents caused by overheat
- Water proof IPX-8
- MIL-SPEC.: MIL-STD-810F
- Anytime the model will keep 3 minutes running at highest brightness and then start up ATM function
- Memory function (Exclude strobe mode)
- Lock function and unlock function

.3.

## Operation Introduction



No	Name	No	Name
1	Striking Bezel	7	tail-cap
2	front strap ring	8	power indicator switch
3	Head	9	Charging Socket
4	power switch	10	Weather-resistant plug
5	battery pack	11	power indicators
6	rear strap ring		

.4.

## Operation Introduction

### 1. Power on/off the light

To power on the light, click power switch.

To shut off the output, click power switch

### 2. Switch output mode

Under on state, press and hold power switch, the output will change between high level and low level, choose expected level then release the switch.

To enter into strobe mode, double click power switch under on state.

Under strode mode, click power switch will shut off the output, and press and hold power switch will enter into either low level.

### 3. Power indicator

Click indicator switch on tail-cap, four green indicators will approximately indicate remain energy for battery, the indicators will display 5 seconds. See below detail description:

-4 indicators full light: Full, the battery power close to full ---

-3 indicators light: Normal, 60~80%

-2 inductors light: Low, 40~60%

-1 indicator light: Lower, 20~40%

-Full off: Lack, the balance power is less than 20%

### 4. Lock and unlock

To lock the light, under on sate, press and hold power switch until the output shut off automatically. Under lock state, press the power switch will not power on the light. Usually we use lock function when we make transportation with batteries.

.5.

## Operation Introduction

To unlock the light, quickly click the power switch 3 times within 1 second

### 5. Charging

You can use charger (included in the gift box) or car charger (optional accessory) for charge.

Remove the weather resistant plug from the end of the integrated battery pack or the whole torch, handle and plug in the barrel plug of the supplied charger. When using charger for charge, the red indicator will be light under charge. If charge finished, the light will become green. When using car charger for charge, please press the indicator switch to check the power remains. If charge finished, the four indicators will be full light.

## Usage and Maintenance

Clean contacts, threads and o-rings with a soft clean cloth on an as-needed basis, Dirty threads and contacts are the major causes of most flashlight reliability issues. If you are regularly using your flashlight in a wet or corrosive environments be sure to clean and lubricate o-rings frequently. O-rings are made of silicone so be sure to use a silicone safe lubricant. After any exposure to water, high ambient moisture or corrosive environments the battery pack and lense should be removed and inspected for incursion and cleaned as needed.

For optimal performance please charge the battery pack after each use.

.6.

If the light is not used regularly be sure to charge the battery pack every 3-4 months without fail.

Failure to regularly charge the battery pack can result in premature battery pack failure.

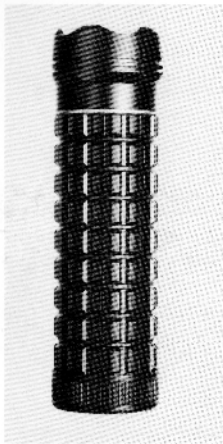
It is advisable to never charge batteries unattended.

Please charge your light or battery pack on a non-flammable surface and unplug the battery and charger upon completion of the charge cycle.

**⚠** Don't unscrew the tailcap if not necessary!

During charging the battery pack separately, or when you unscrew the battery pack and lay aside for a long time, Please cover the battery pack with the lid to avoid unexpected short circuiting.

## Operation Accessories



Battery pack

Strap



Charger



Car charger(Optional)

## Warranty

Olight™ warrants its products to be free from defects in materials and workmanship. Within 30 days of receipt, any defective lights will be offered repair or replacement by the retailer where the product was purchased. Olight™ will repair or replace, at its option and without charge, any product or part which is found to be defective under normal use and service within 24 months counting from the date of purchasing with proof of purchase. Such repair or replacement shall be the purchaser's sole and exclusive remedy under this warranty. This warranty does not cover normal maintenance and service and does not apply to any products or parts which have been subject to modification, misuse, negligence, accident, improper maintenance or repair by anyone other than Olight™.

As to those exceed 24 months of the purchase date, Olight will still provide with warranty service. Labor is free but cost of parts will be charged. This warranty covers parts and labor only as specified above. Freight and transit costs are the responsibility of the user/owner; not the factory or dealer.

## Warranty Limitation

There is no other express warranty. Olight hereby disclaims any and all implied warranties, including but not limited to fitness for a particular purpose.

Olight shall not be liable for incidental, consequential, or special damages arising out of, or connection with, product use or performance.



Olight Technology Co., Limited

[www.olightworld.com](http://www.olightworld.com)

Tel: +86-755-3351 8606

Fax: +86-755-3380 0207

Email: [olightworld@gmail.com](mailto:olightworld@gmail.com)