



S35 BATON/ S65 BATON



Operator' s Manual

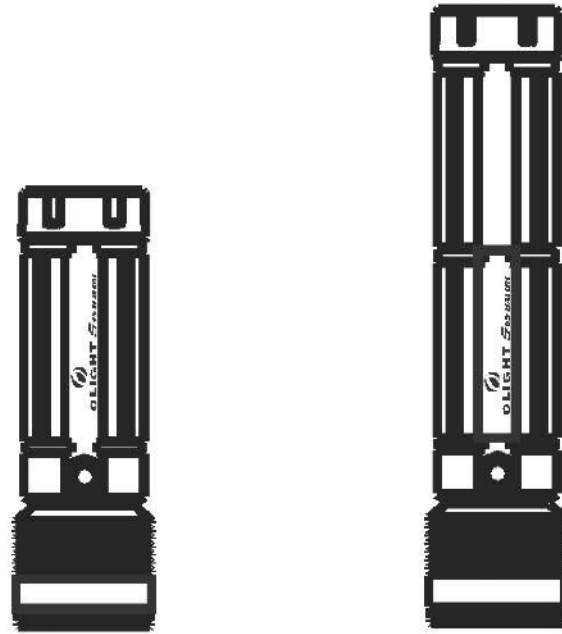
Tactical LED Flashlight

Olight S series focus on high end household LED flashlight market, it's been equipped with CREE XM-L LED and powered by multiple AA batteries. They are featured with practice, reliability and integration. S series renounced the traditional screw-thread design but choose the integration of head and body as well as the tail cap and battery carrier, and use high reliable electronic switch instead of traditional mechanical switch, the standby current has already been decreased as low as 8uA. S series also lead in the low-voltage indication of non-rechargeable batteries and locking status for the first time all over the world! Here we introduce S35 BATON and S65 BATON, which work with 3pcs AA and 6pcs AA batteries individually in order to meet the users' different requirements of high brightness and long runtime, S series can be the first choice of high end household models!

Package Contents

S35 BATON	1 X key-ring, 1 X white diffuser, 1 X holster.
S65 BATON	6 X AA batteries, 1 X key-ring, 1 X white diffuser, 1 X holster.

Specifications



Physical character	S35 BATON	S65 BATON
Size(mm)	128*39.7	180*39.7
Weight (without batteries)(g)	173	219
Color	Black	
Body material	Aluminum alloy body with type-III hard anodization	
Reflector	Orange peel surface aluminum alloy	
Glass	Steel hardened glass	
Switch	Side button switch	

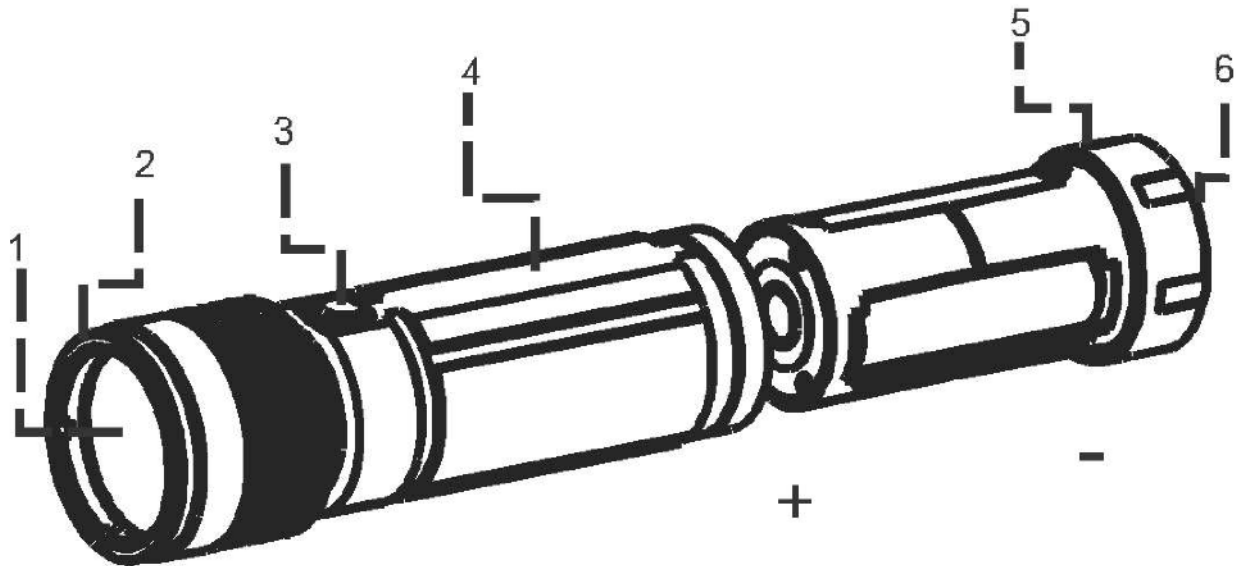
Specifications

Photoelectric characteristic	S35 BATON	S65 BATON
LED	CREE XM-L LED	CREE XM-L LED
Batteries	3 x AA	6 x AA
Mode	Three levels+strobe	Three levels+strobe
LED Emit Flux	460lm	950lm
Low	20lm/240h	20lm/360h
Medium	120lm/3.5h	200lm/5.3h
High	380lm/1.5h	700lm/1.3h
Strobe	10hz 380lm/3h	10hz 700lm/3h
Max Beam Distance	180 meters	250 meters
Beam intensity	8100 cd	15600 cd
Warning low voltage	3.0 ± 0.1v	3.0 ± 0.1v
Idle current	◀0.008mA	◀0.008mA
Memory	✓	✓
Active thermal management(ATM)	—	✓

Features

1. World-class super bright Cree XM-L LED
2. S35: Max 380 lumens(OTF), 180meters long throw
S65: Max 700 lumens(OTF), 250meters long throw
3. S35:Max almost 240 hours long runtime
S65:Max almost 360 hours long runtime
4. Three adjustable brightness levels and strobe.
5. Anti battery polarity reverse protection
6. With side switch, press the button and silicon cap.
7. Integrated design
8. Low voltage indication
9. Highly water resistant to IPX-8
10. Mil-spec: MIL-STD-810F
11. Mini orange peel reflector offers perfect beam and long throw
12. Super Strong anti reflex coating lens, 96% effective transmission
13. Excellent tridimensional heat dissipation ability
14. S65: Intelligent temperature control system to prevent flashlights overheated

Operation Introduction



No	Name	No	Name
1	Glass	4	Head and Body
2	Stainless Flat shield	5	Battery Carrier
3	Power switch	6	lanyard hole

Operation

1. Install batteries

Unscrew the tailcap, then insert AA batteries into battery carrier, the positive of battery towards the copper plate of carrier, and the negative towards the spring of carrier. After doing that, insert the battery carrier into flashlight tube, tightly screw the tailcap.

Operation

2. Power on/off the light

To power on the light, click power switch.
To shut off the output, click power switch.

3. Switch output mode

Under on state, press and hold power switch, the output switches between high level, medium level and low level, choose expected level then release the switch.

To enter into strobe mode, double click power switch under on state.

Under strobe mode, click power switch will shut off the output, but press and hold power switch will enter into always level.

4. Lock and unlock

To lock the light, under on state, press and hold power switch until the output shut off automatically. Under lock state,

to unlock the light, quickly click the power switch 3 times within 1 second.



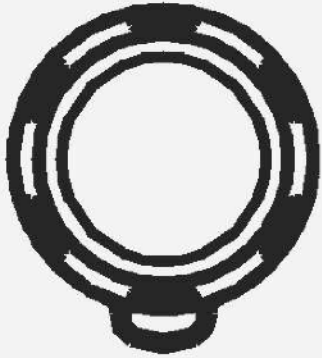
Notice

1. Low voltage indication: low voltage indicator lights as sparkle, two times for one second when supply voltage is lower than 3V. Different grade, different time for indication. After low voltage indication, the flashlight can still work for a long time, and almost no difference with that of before low voltage, except for top.

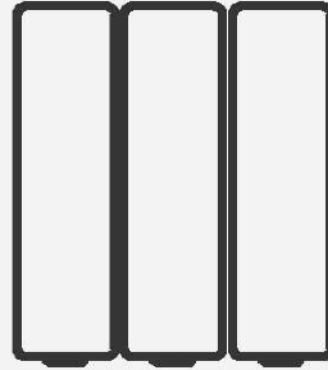
Note: low voltage is only a reference to power, not for a basis of changing battery.

2. Lock down: the indicator lights up for a second to show you lock-down state after one press.

Optional Accessories



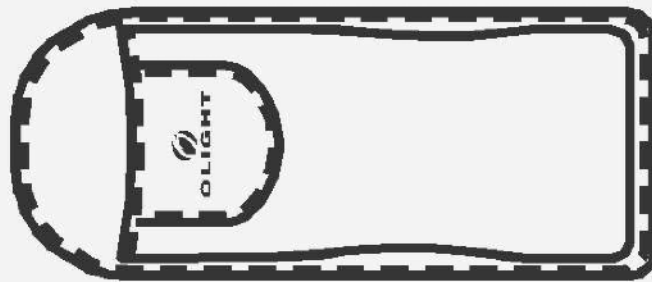
Standard: White Diffuser
Optional: Red ,Green,Blue Filter



S35:3 x AA Batteries
S65:6 x AA Batteries



key-ring



Holster

Warranty

Olight™ warrants its products to be free from defects in materials and workmanship. Within 30 days of receipt, any defective lights will be offered repair or replacement by the retailer where the product was purchased. Olight™ will repair or replace, at its option and without charge, any product or part which is found to be defective under normal use and service within 24 months counting from the date of purchasing with proof of purchase, Such repair or replacement shall be the purchaser's sole and exclusive remedy under this warranty, This warranty does not cover normal maintenance and service and does not apply to any products or parts which have been subject to modification, misuse, negligence, accident, improper maintenance or repair by anyone other than Olight™.

As to those exceed 24 months of the purchase date, Olight will still provide with warranty service. Labor is free but cost of parts will be charged. This warranty covers parts and labor only as specified above. Freight and transit costs are the responsibility of the user/owner, not the factory or dealer.

Warranty Limitation

There is no other express warranty. Olight hereby disclaims any and all implied warranties, including but not limited to fitness for a particular purpose.

Olight shall not be liable for incidental, consequential, or special damages arising out of or connection with product use or performance.



Olight Technology Co., Limited

www.olightworld.com

Tel: +86-755-3351 8606

Fax: +86-755-3380 0207

Email: service@olightworld.com