

WARRANTY

Within 30 days of purchase: Return to retailer from which you purchased for repair or replacement.

Within 5 years of purchase: Return to Olight for repair or replacement.

This warranty does not cover normal wear and tear, modifications, misuse, disintegrations, negligence, accidents, improper maintenance, or repair by anyone other than an Authorized retailer or Olight itself.



Technical Support Inquiries
techsupport@olightworld.us

Customer Service
cs@olightworld.us

Visit www.olightworld.com to see our complete product line of portable illumination tools.



Olight Technology Co., Limited
2/F East, Building A, B3 Block, Fuhai
Industrial Park, Fuyong, Bao'an District,
Shenzhen, China 518103

MADE IN CHINA

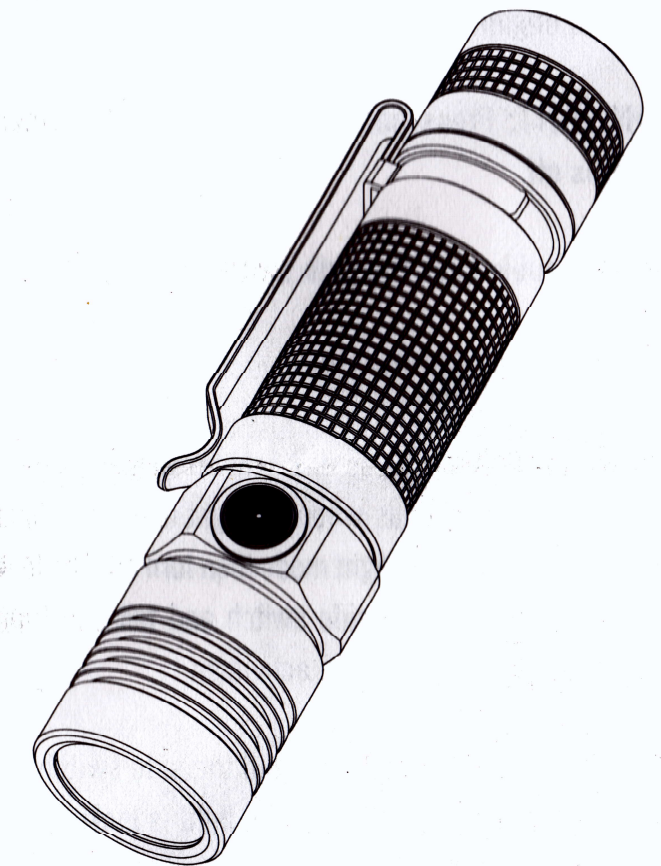
V1. JAN. 07, 2015

www.DrMemory.com/Olight



S30 BATON
VARIABLE-OUTPUT SIDE-SWITCH LED FLASHLIGHT

USER MANUAL

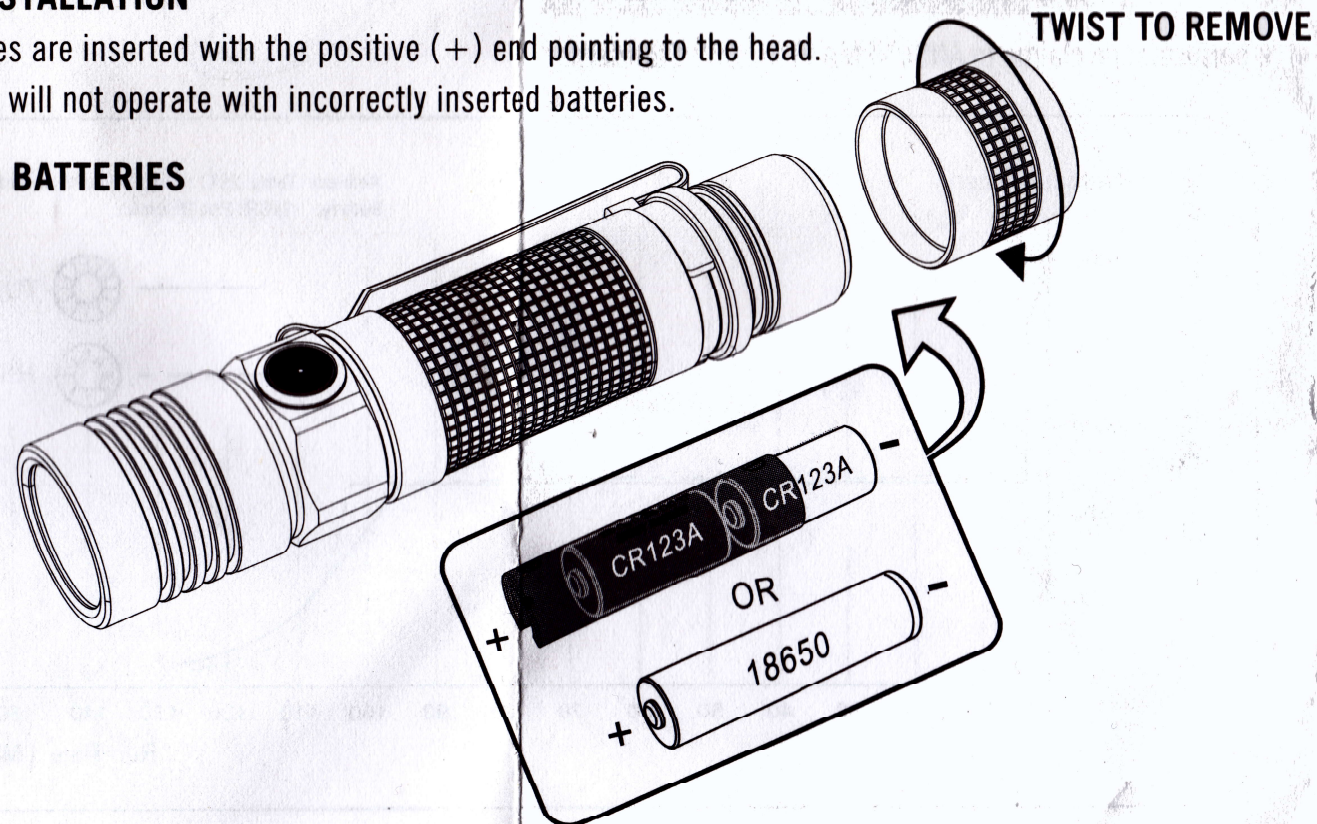


BATTERY INSTALLATION

Ensure batteries are inserted with the positive (+) end pointing to the head. The S30 Baton will not operate with incorrectly inserted batteries.

SUPPORTED BATTERIES

- 2 x CR123A
- 1 x 18650



BATTERY AND SAFETY WARNINGS:

- Do not use unsupported batteries with this flashlight.
- Use caution on high outputs or long runtimes as flashlight may get hot.

Thank you for purchasing the Olight S30 Baton flashlight! Please read this manual carefully before using this product.

INSIDE THE BOX

S30 Baton, (2) o-rings, battery magazine, user manual

HOW TO OPERATE

ON/OFF: Click the side switch to turn flashlight on.

CHANGE BRIGHTNESS LEVEL (FIG A)

Press and hold the side switch when the light is on. The brightness levels will cycle up then repeat low – medium – high until level is selected. Release the switch when on the desired brightness level to select it.

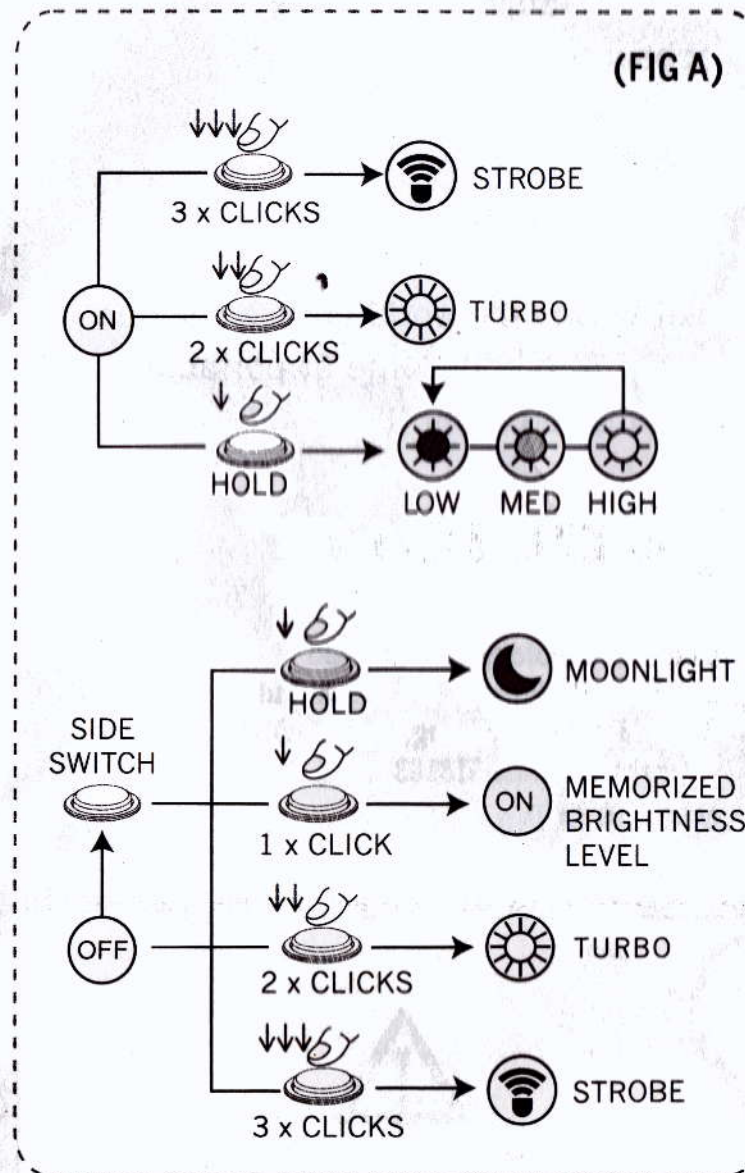
MOONLIGHT: Press and hold the side switch when the light is off.

TURBO: Double click the side switch.

STROBE: Triple click the side switch.

LOCK OUT: (FIG B) Press and hold the side switch for approximately two seconds when the light is off. The light will quickly flash the moonlight mode then turn off. The lock out mode will prevent the side switch and tail cap from turning on to prevent accidental activation.

UNLOCK: (FIG B) Press and hold the side switch for approximately one second when the light is locked. The light will automatically be in moonlight mode.



FLASHLIGHT SPECIFICATIONS

OUTPUT & RUNTIME	
TURBO	1000 LUMENS / 1 HR
HIGH	600 LUMENS / 2 HRS
MED	100 LUMENS / 8 HRS
LOW	20 LUMENS / 26 HRS
MOONLIGHT	1 LUMEN / 720 HRS
STROBE	10HZ
LED	CREE XM-L2
VOLTAGE	3.0V TO 8.4V
CANDELLA	6,400 CD
BEAM DISTANCE	160 METERS/ 525 FEET
BATTERY TYPE	2 x CR123A OR 1 x 18650
WATERPROOF	IPX8 (UP TO 2 METERS)
IMPACT RESISTANCE	1.5 METERS
DIMENSIONS	L 117mm x D 25mm / 4.6 in x 0.98 in

Note: Tests performed with 2x 1500mAh 3.0V CR123A batteries

All performance claims to ANSI/NEMA FL1-2009 Standard.

PRODUCT PARTS

