

WARRANTY

Within 30 days of purchase: Return to retailer from which you purchased for repair or replacement.

Within 5 years of purchase: Return to Olight for repair or replacement.

This warranty does not cover normal wear and tear, modifications, misuse, disintegrations, negligence, accidents, improper maintenance, or repair by anyone other than an Authorized retailer or Olight itself.



Technical Support Inquiries
techsupport@olightworld.us

Customer Service
cs@olightworld.us

Visit www.olightworld.com to see our complete product line of portable illumination tools.



Olight Technology Co., Limited
2/F, Building A, B3 Block, Fuhai
Industrial Park, Fuyong, Bao'an District,
Shenzhen, China 518103

V1. JULY 15, 2014

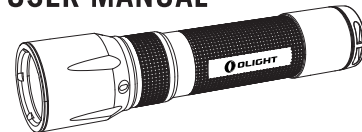
MADE IN CHINA

www.DrMemory.com/Olight



R20 SEEKER
RECHARGEABLE DUAL-OUTPUT TAILCAP-SWITCH LED
FLASHLIGHT

USER MANUAL



Thank you for purchasing the Olight R20 Seeker flashlight! Please read this manual carefully before using this product.

INSIDE THE BOX

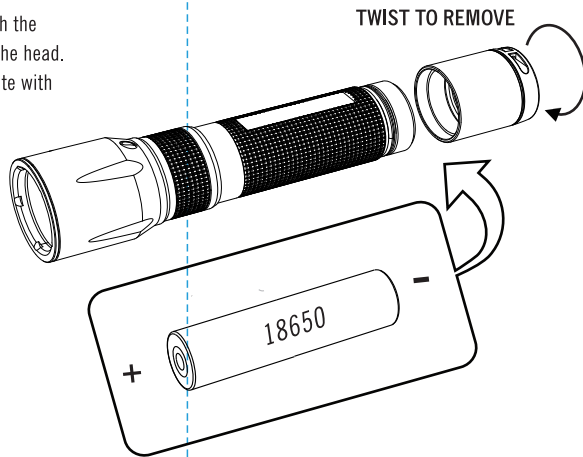
R20 Seeker, (2) o-rings, 18650, Car charger, lanyard, Micro-USB cable, user manual

BATTERY INSTALLATION

Ensure battery is inserted with the positive (+) end pointing to the head. The R20 Seeker will not operate with incorrectly inserted batteries.

SUPPORTED BATTERIES

- 1 x 18650 (customized)



BATTERY AND SAFETY WARNINGS

- Do not mix rechargeable and non-rechargeable batteries.
- Do not mix batteries of different types/brands.
- Do not use unsupported batteries with this flashlight.
- Use caution on high outputs or long runtimes as flashlight may get hot.
- Before storing the flashlight, it is recommended to turn the tailcap a half turn counterclockwise to disconnect the circuit.

HOW TO OPERATE (FIG A)

ON/OFF: Click the tailcap switch. This will turn on the light at the low level.

CHANGE BRIGHTNESS LEVEL: When the light is off, One half press goes to low level. Two half presses and click down goes to high level, and Three half presses goes to strobe. Hold for momentary activation or click down for constant on in the setting.

MOMENTARY ON: Half press the tailcap switch. A half press is a light push of the tailcap switch without clicking.

STROBE: Triple half press the tailcap switch when light is off, or hold the side switch when the light is on. Strobe mode will not be memorized.

LOCK OUT: (FIG B) Half turn the tailcap counterclockwise for lock out mode. The lock out mode will prevent accidental activation.

UNLOCK: Turn tailcap clockwise until tight.

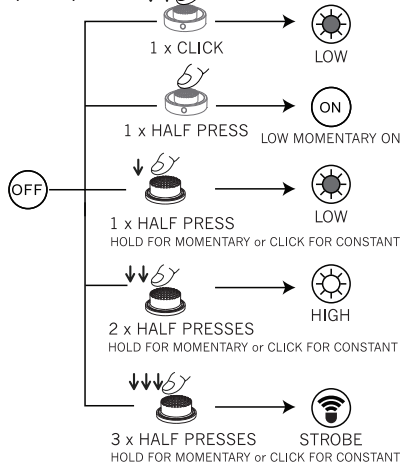
BATTERY CHARGING: To charge the R20, unscrew the USB cover around the neck of the flashlight. Connect the flashlight to USB power supply or PC's USB socket through the USB cord. After connecting the flashlight, the charging indicator will turn on to indicate that charging is in progress. When the R20 is fully charged the indicator will turn green.

(FIG B)

**TWIST A HALF
TURN TO
LOCKOUT**



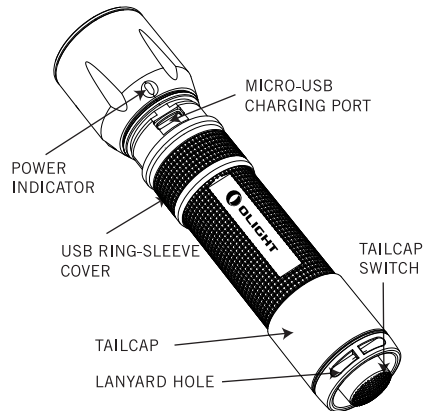
(FIG A)



SPECIFICATIONS

OUTPUT & RUNTIME	
HIGH	600 LUMENS / 2.5 HRS
LOW	80 LUMENS / 12 HRS
STROBE	600 LUMENS / 5 HRS
LED	CREE XM-L2
VOLTAGE	2.8V TO 4.2V
CANDELA	10,000 CD
BEAM DISTANCE	200 METERS/ 656 FEET
BATTERY TYPE	1 x 18650 (Customized)
BODY TYPE	TYPE III HARD ANODIZED ALUMINUM
WATERPROOF	IPX8 (UP TO 2 METERS)
IMPACT RESISTANCE	1.5 METERS
DIMENSIONS	L 136mm x D 31.5mm/ 5.37 in x 1.24in
WEIGHT	86 g/ 3.03 oz(excluding batteries)

Note: testing done with 1 x 18650 battery (3.7V 2600mAh)
All performance claims to ANSI/NEMA FL1-2009 Standard.



OUTPUT & RUNTIME

