

Technical Support Inquiries
techsupport@olightworld.com

Customer Service
cs@olightworld.com

Visit www.olightworld.com to see our complete product line of portable illumination tools.



Olight Technology Co., Limited
2/F East, Building A, B3 Block, Fuhai
Industrial Park, Fuyong, Bao'an District,
Shenzhen, China 518103

MADE IN CHINA
V1. MARCH 24, 2014

OLIGHT™ OMNI-DOK

UNIVERSAL RECHARGEABLE BATTERY CHARGER
USER MANUAL

www.olightworld.com

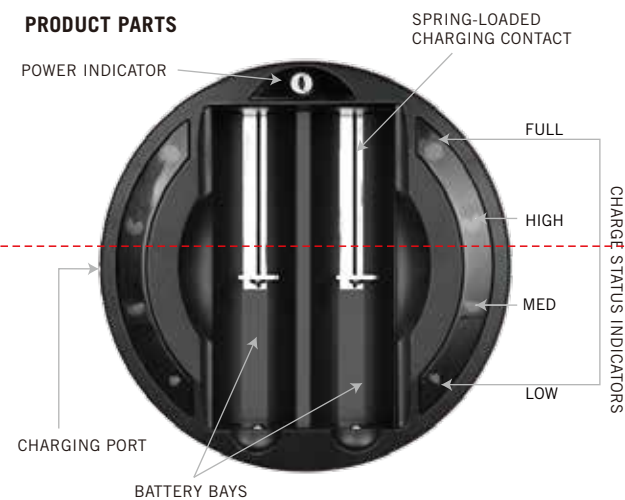
Thank you for purchasing the Olight Omni-Dok!
Please read this manual carefully
before using this product.

The Omni-Dok is an intelligent, universal battery charger that can safely charge two types of rechargeable batteries simultaneously, including 18650, 17670, 16340 (RCR123A), 14500 lithium-ion batteries as well as AA and AAA NiMH batteries. The battery bays have separate power indicator bars to monitor the charging status of each battery.

WHAT'S IN THE BOX

Omni-Dok charging station, 12V1A Power Supply, Manual

PRODUCT PARTS



SPECIFICATIONS

Weight	102g / 3.6 oz
Dimension	D 96mm / 3.78 in, H 31mm / 1.22 in
Power Input	DC12V 1A, supplied by included AC/DC adaptor
AC/DC Adaptor	Input 100~240VAC~60HZ, output DC12V 1A
Supported Battery Types	Rechargeable lithium battery with 3.6V or 3.7V of nominal voltage 18650,17670, 16340,14500

HOW TO OPERATE

1. Insert power supply into the charging port and plug into a wall outlet (100~240V). A red power indicator will light when the dock is powered.
2. Insert battery into the bay with the positive end towards charger head. Any combination of supported batteries may be docked at the same time.
3. Corresponding charging status indicator lights on the side of each bay will begin to flash green while the batteries are charging.
 - **LOW** light blinks when battery level is less than 25%
 - **MEDIUM** light blinks when battery level is 25% - 50% charged
 - **HIGH** light blinks when battery level is 50%-75% charged
 - **FULL** light blinks when battery level is 75%-100% charged
4. All four corresponding indicator lights will stay on for three minutes when batteries are 100% charged. After three minutes, the FULL light will stay on
5. All four green LEDs will blink three times rapidly if there is an error.

SAFETY FEATURES

The Omni-Dok has built-in safety features for your protection.

1. All four LED indicators will rapidly blink three times when:
 - Batteries are improperly or reversely installed
 - Unsupported batteries are installed
 - A short exists between the negative and positive ports
2. Each battery bay will stop charging a battery when it has reached a full charge. Charging automatically stops when voltage reaches 4.2v or the charge current is below 50mA.
3. Charge cycles will last no longer than eight hours. After eight hours, the dock will automatically power off.

WARNING: Do not attempt to charge alkaline or unsupported rechargeable batteries.

SUPPORTED BATTERY TYPES AND CHARGING MODES

Rechargeable Lithium Battery, CC&CV: 1000MA / 4.2V each channel
AA/AAA Size NiMH Battery, CC&CV: 500MA / 1.47V each channel

WARRANTY

Within 30 days of purchase: Return to retailer from which you purchased for repair or replacement.

Within 5 years of purchase: Return to Olight for repair or replacement.

For more information visit www.olightworld.com/warranty