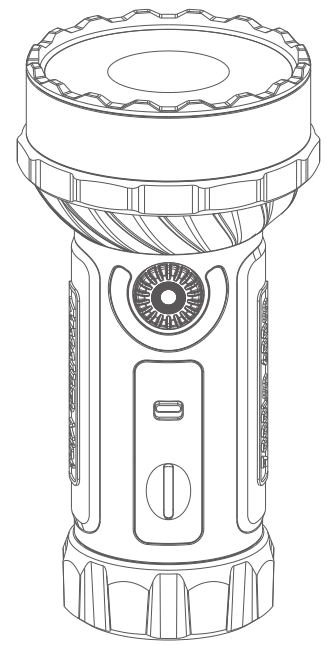


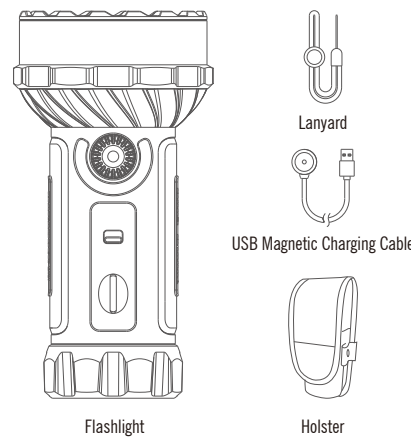
USER MANUAL



MARAUDER Mini

A Powerful Rechargeable LED Flashlight with Both Flood and Throw.

IN THE BOX



Flashlight

COOL WHITE (Floodlight): CCT: 5500 - 6000K CRI: 70
COOL WHITE (Spotlight): CCT: 5000 - 6000K CRI: 70

Table 1: Floodlight and Spotlight performance metrics including lumens, beam diameter, and runtime for various modes.

Table 2: USB Magnetic charging cable specifications including cable length (0.5m) and input/output details.

Table 3: Red Light performance metrics including lumens, beam diameter, and runtime.

Table 4: Green Light performance metrics including lumens, beam diameter, and runtime.

Table 5: Blue Light performance metrics including lumens, beam diameter, and runtime.

Table 6: IPX8, 1.5M, and Working Temperature (0-40°C) specifications.

Table 7: Dimensions (L130*Ø65.6mm) and weight (462g) specifications.

*Above data are tested per ANSI/NEMA FL-1-2009 standard in Olight's labs for reference.

Table 2: USB Magnetic charging cable

Table 8: Cable length (0.5m), input (USB A-type DC 5V 2A), and output (CC&CV) details.

Figure 1

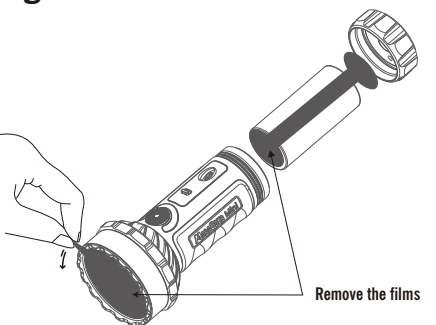


Figure 2

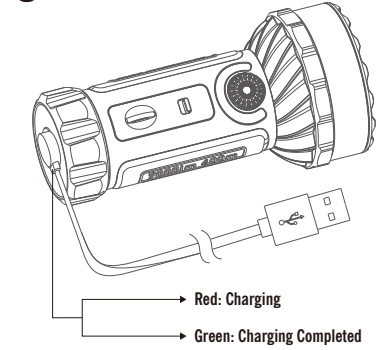


Figure 3

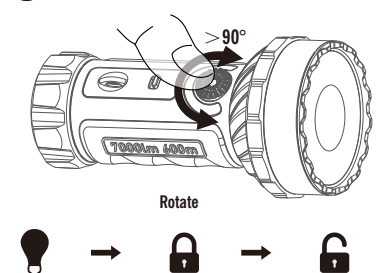
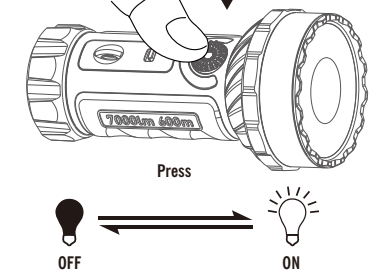


Figure 4



(NO) Norwegian

Flerspråklig ordbok, se Table 3;
1. Produktspesifikasjon, se Table 1 og 2;
2. Bruksanvisning som nedenfor;

(SV) Swedish

Flerspråklig ordbok, se Table 3;
1. Produktspecifikation, se Table 1 och 2;
2. Bruksanvisning enligt nedan;

(NL) Nederlands

Meertalig woordenboek, zie Table 3;
1. Productspecificatie, zie Table 1 en Table 2;
2. Gebruiksaanwijzing zoals hieronder;

(PL)Polska

Słownik wielojęzyczny, zob. Table 3;
1. Specyfikacja produktu, zobacz Table 1 i Table 2;
2. Instrukcja obsługi jak poniżej;

(DE)Deutsch

Mehrsprachiges Wörterbuch, siehe Table 3;
1. Produktspezifikationen, siehe Table 1 und Table 2;
2. Bedienhinweise wie folgt;

(HU)Magyarország

Többnyelvű szótár, lásd Table 3;
1. Műszaki adatok. Lásd Table 1. és Table 2.
2. Használati útmutató az alábbiakban;

(RU) Русский

Многоязычный словарь, смотрите Table 3.
1. Технические характеристики изделия см. Table 1 и 2.
2. Инструкция по эксплуатации, как указано ниже;

(ES) Español

Diccionario multilingüe, consulte la Tabla 3.
1. Consulte los detalles del producto en la Tabla 1 y la Tabla 2.
2. Instrucciones de manejo como se indica a continuación;

(RO) Românesc

Dicționar multilingv, a se vedea Table 3;
1. Specificație produsului, vezi Table 1 și Table 2;
2. Instrucțiuni utilizare;

(UA) Ukrainian

Багато мовний словник див. Table 3;
1. Технічні характеристики продукту, див. Table 1 та Table 2;
2. Інструкція з використання наведена нижче;

(JP)日本語

多言語辞書はTable 3を参照してください。
1. 製品の仕様はTable 1およびTable 2を参照してください。
2. 操作手順;

(KR) 한국어

다언어 사전은 해당 단어를 확인하시려면 Table 3를 참고해주세요.
1. 제품 사양 및 제원은 Table 1 and Table 2 참고해주세요.
2. 사용 방법은 아래를 참고해주세요.

(TH) ไทย

พจนานุกรมหลายภาษา ดู Table 3
1. ข้อมูลจำเพาะของผลิตภัณฑ์ โปรดดูตาม Table 1 และ Table 2
2. คู่มือการใช้งานโปรดดู

(FR) Français

Dictionnaire multi-langues, voir Table 3;
1. Caractéristiques du produit, voir Table 1 et Table 2;
2. Instructions d'utilisation ci-dessous;

(IT) Italiano

Dizionario multilingue, consultare la Table 3;
1. Specifiche del prodotto, consultare la Table 1 e la Table 2.
2. Istruzioni per l'uso come di seguito;

Figure 5

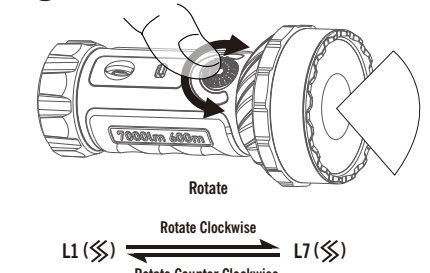


Figure 6

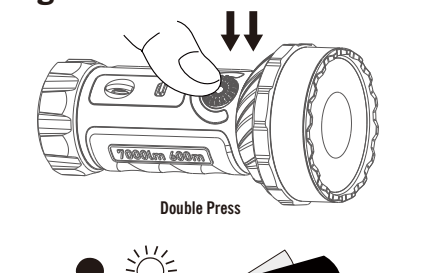


Figure 7

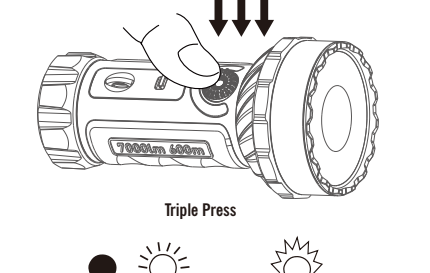


Figure 8

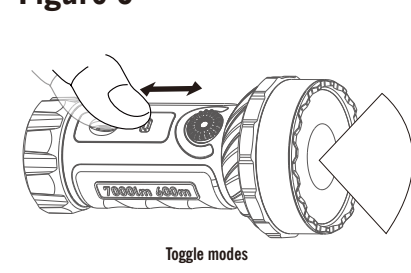


Figure 9

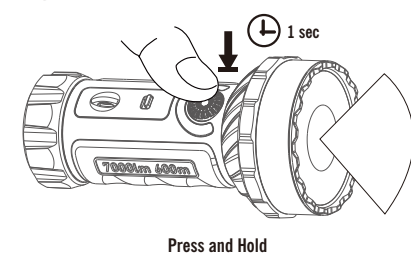
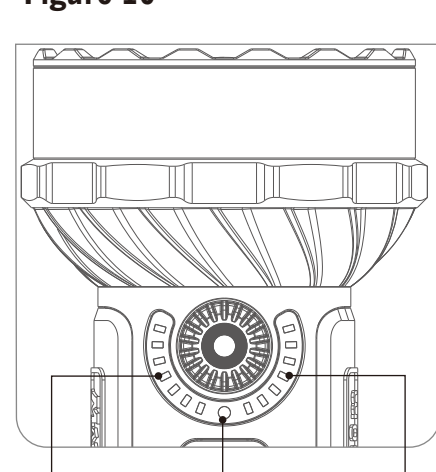


Figure 10



BRIGHTNESS OUTPUT AND BATTERY LEVEL CORRELATION TABLE

Table showing the correlation between brightness output (Floodlight/Spotlight) and battery level percentage.

CONTENTS

Table listing the contents of the manual in various languages including English, Chinese, Finnish, Norwegian, Swedish, Dutch, Polish, Hungarian, Russian, Spanish, Romanian, Ukrainian, Japanese, Korean, Thai, French, Italian, Slovak, and Portuguese.

(SK)Slovenský jazyk

Viacjazyčný slovník, pozrite Table 3;
1. Špecifikácia výrobku, pozri Table 1 a Table 2;
2. Návod na ovládanie ako je vidno nižšie;

(PT)Português

Dicionário multilingue, consulte a Table 3;
1. Especificação do produto, veja a Table 1 e 2;
2. Instruções de operação abaixo;

(FI) Finnish

Monikielinen sanakirja, katso Table 3;
1. Tuotteen tekniset tiedot, katso Table 1 ja Table 2;
2. Käyttöohjeet;

Table 3 Multi-language dictionary

Table 3: Multi-language dictionary for flashlight controls including Turbo (L7), Strobe, Press, Double press, Press and hold, Triple press, Rotate, Push, Rotate clockwise, and Rotate counter clockwise.

WARRANTY

Within 30 days of purchase: Contact the original seller for repair or replacement.

Within 5 years of purchase: Contact Olight for repair or replacement.

Battery warranty: Olight offers a one-year warranty for all rechargeable batteries.

MCC magnetic USB charging cable: One year.

For any of the fragile or low-value fittings not covered above, like lanyard and clip, you can contact the post-sale within 30 days of the purchase...

USA Customer Support: cs@lightstore.com

Global Customer Support customer-service@lightworld.com

Visit www.oightworld.com to see our complete product line of portable illumination tools.