

ENGLISH

Thank you for purchasing Olight products. Please read the manual carefully before using this product, this manual is for M3X Triton.

M3X Triton is the best one of Olight's tactical flashlight series, has firm structure, high efficiency high current drive circuit and large window reflector specially designed for long throw. Next to Cree release high lumen breakthrough XM-L2 LED, Olight takes the lead in applying them to M3X, it makes single XM-L LED flashlights emit 1000 lumens and throw up to 580 meters distance. Associated with Olight's various tactical accessories, M3X Triton can be widely used in the area of government agencies, low enforcement, military, hunting and so on.

Product parts (See Figure 1)

Operational instruction

1. Battery Installation: (See Figure 1)

Refer to the figure 1.

a) If using 4xCR123A batteries. First, insert the batteries into the battery magazine, then place the battery magazine into flashlight, finally tighten the tail cap. Attention that the positive of battery should towards the flashlight head.

b) If using 4xCR123A batteries or 2x18650 batteries, the extended tube need be assembled to the flashlight before battery installation.

⚠ Attention: 18650 batteries must be with protected board and protruding positive electrode (18650 with flat positive electrode are not suitable for serial connect)

2. Operate the flashlight: (See Figure 2)

a) Fully press then release the tail switch will enable or disable the output.

b) Under off status, slightly press the tail switch will momentarily activate the output, the output become off at the moment that the switch is released.

c) Under on status, when tightening the flashlight head and battery tube, the flashlight output high brightness, else when loosening, the output change to low brightness.

d) Under on status, a continual operations of "tighten - loosen" or "loosen - tighten" is performed within 1 second will activate strobe output, further tightening or loosening operation will return to high or low from strobe.

Output VS Runtime (See Figure 3)

Specifications

Material	Aluminum body with anti-scratching type III Hard Anodization
Dimension	(L)211mm without extended tube, (Head) D63mm, (Tube) D25mm
Weight	266 g (without battery)
Color	Black
LED	Cree XM-L2
Battery	3 or 4 CR123A or 2 x18650 rechargeable lithium (protruding positive terminal) with protected board
Reflector	Smooth Surface reflector
Lens	Tough ultra-clear tempering glass, with anti-reflective coating
Head case	Aluminum Alloy
Switch	Tail switch
Output And Running Time	1,000 lm/ 1h20min, 300 lm/5h
Special Mode	Strobe 10 Hz
Beam Intensity	84,100 cd
Maximum Throw	580 m
Waterproof	IPX8
Impact Resistance	2 m

中文

感谢您购买Olight LED手电筒, 在使用前请详细阅读说明书, 本说明书适用于M3X Triton。

M3X Triton是Olight战术手电中极品, 具有坚固的结构、高效率大电流驱动电路、大口径远射型反光杯。紧随CREE推出高输出、高光效新突破的XM-L2 LED, Olight率先应用于M3X Triton中, 使单核XM-L LED手电输出达到1000流明输出, 同时射程达到580米。结合Olight丰富的战术应用配件, M3X Triton能广泛应用于执法、军警、户外、打猎等领域。

产品部件 (见Figure 1)

操作说明

1. 电池安装: (见Figure 1)

按照Figure 1图所示装入电池。

a) 如使用三节CR123A电池时, 将电池装入电池套筒, 再将电池套筒塞入手电, 最后旋紧尾盖。注意电池正极朝向手电筒头部。

b) 如使用四节CR123A电池或者两节18650电池, 需先将延长筒安装在手电上, 再将入电池。

⚠ 注意事项: 18650必须带有保护板, 且电池正极为凸头的电池。(正极为平头的18650不适合串联使用)

2. 使用手电: (见Figure 2)

a) 按下尾部按键点亮或关闭输出。

b) 关机状态下, 轻按下尾部按键为瞬时点亮, 释放按键时输出关闭。

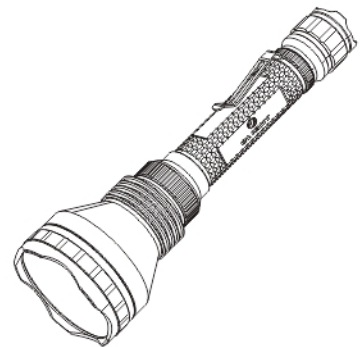
c) 开机状态下, 旋紧筒身与头部, 输出高亮; 旋松输出低亮。

d) 开机状态下, 一秒内连续完成“紧-松”或“松-紧”操作进入暴闪, 再次旋松或旋紧退出暴闪。

运行曲线 (见Figure 3)

规格参数

材料	铝合金, 表面三级硬质氧化
体积	长211毫米,(头)直径63毫米,(筒身)直径25毫米
重量	266克(不含电池)
颜色	黑色
发光二极管	Cree XM-L2 冷白
电池	3节或者4节CR123A或两节18650(凸头正极)带保护板
反光杯	光面杯
透镜	钢化加硬玻璃, 双面镀增透膜
头盖	铝合金, 表面三级硬质氧化
开关	尾部正向开关
输出亮度级及运行时间	1000流明/1小时20分钟 300流明/5小时
特殊模式	暴闪, 10赫兹
中心光强度	84,100坎德拉
最大射程	580米
防水	IPX8
抗冲击	2米



LED FLASHLIGHT
Model: M3X TRITON
CREE XM-L2 LED

EN User's manual
中文 用户手册

OLIGHT[®]
We Make A Difference

OLIGHT[®]
We Make A Difference

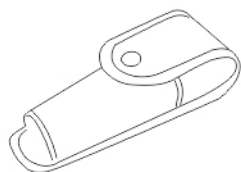
Olight Technology Co., Limited
Address: 2/F East, Building A, B3 Block,
Fuhai Industrial Park, Fuyong, Bao'an
District, Shenzhen, China 518103
Tel: +86-755-81452608/81452618
Fax: +86-755-81452508
E-mail: service@olightworld.com
www.olightworld.com

深圳市欧莱特科技有限公司
地址: 深圳市宝安区福永镇福海工业区
B3区A栋二楼东
电话: 0755-81452608/81452618
传真: 0755-81452508
E-mail: service@olightworld.com
www.olightworld.com

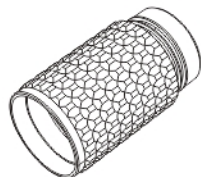


Made In China

Included Items 随机配件



Holster/手电包 x 1



Extended Tube/ 电池延长筒 x 1



Battery Magazine/电池套 x 1



Spare O-rings /备用防水圈 x 4

M3X Flashlight / 手电 x 1

Manual (This manual) / 说明书
(本说明书)

Warranty Card / 保修卡

Figure1 Product parts & Battery installation/产品部件与电池安装

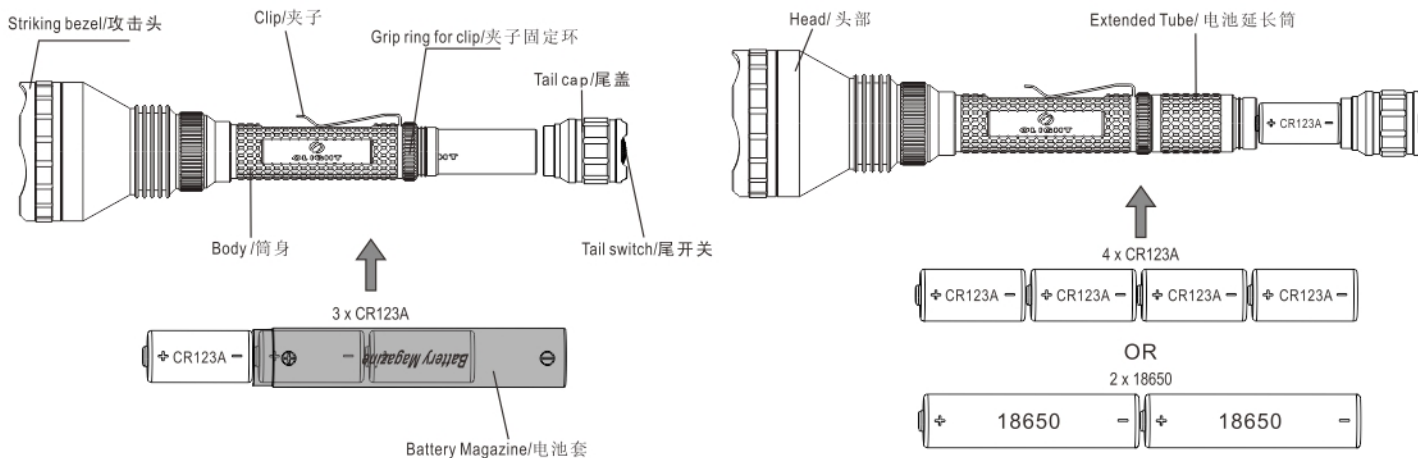


Figure2 User interface / 用户操作界面

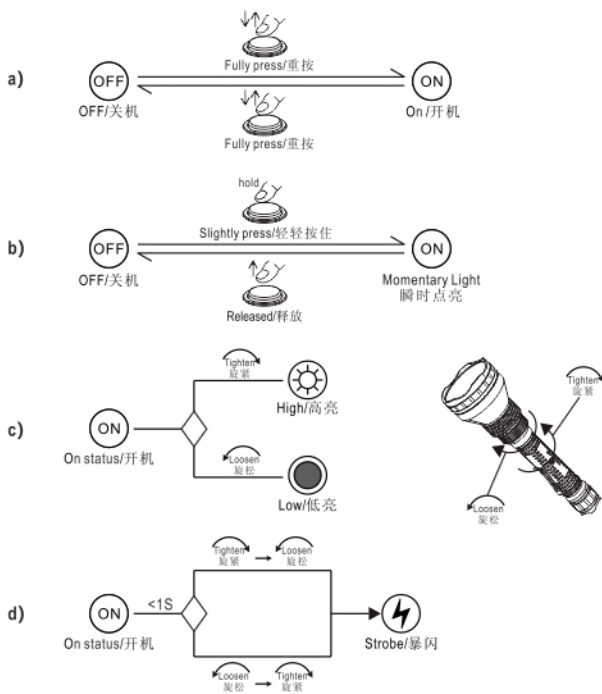


Figure3 Output VS Runtime/运行曲线

