

ENGLISH

Thank you for purchasing Olight products. Please read the manual carefully before using this product, this manual is for M22 Warrior.

M22 Warrior (M22 for short) is a tactical flashlight with forward switch in the tail, which assembled the latest in Cree XM-L2 LED and maximum luminous flux is up to 950 lumens. M22 has solid and strong structure, together with Olight's various tactical accessories such as weapon mount, filter, tactical remote switch etc, M22 can be widely used in the area of government agencies, low enforcement, military, hunting and so on.

There are two editions: polish stainless steel bezel edition and black finishing stainless steel bezel edition.

Product parts (See Figure 1)

Operational instruction

1. Battery Installation: (See Figure 2)

Unscrew and open the tail cap, then take out battery magazine, insert batteries into battery magazine as the figure 2 shown; Then place battery magazine into flashlight; Finally, tightly rotate tail cap.

Attention that the positive of battery should towards the flashlight head.

Hint: The battery magazine is designed for CR123A battery cells, not for 18650 battery.

2. Operate the flashlight: (See Figure 3)

a) Fully press then release the tail switch will enable or disable the output.

b) Change output brightness level through turning the head and body: each change from loose to tight, output brightness circularly jump to next brightness level as **low-medium-high** sequence. When turning off, the last brightness will be memorized.

c) Under off status, lightly press the tail switch will perform momentary-on, while twice quick clicks will activate high brightness and triple quick clicks will activate strobe, further hard press will acquiesce in outputs.

Output VS Runtime (See Figure 4)

Specifications

Material	Aluminum body with anti-scratching type III Hard Anodization
Dimension	(L)144mm without extended tube, (Head)D41mm, (Tube)D25mm
Weight	146 g (without battery)
Color	Black
LED	Cree XM-L2
Battery	2 x CR123A OR 1 x 18650 Rechargeable Battery
Reflector	Smooth Reflector
Lens	Tough ultra-clear tempering glass, with anti-reflective coating
Striking bezel	Stainless Steel
Switch	Tail switch
Output And Running Time	950 lm/ 1h, 250 lm/3h, 20lm/30h
Special Mode	Strobe 10 Hz
Beam Intensity	23,256 cd
Maximum Throw	305m
Waterproof	IPX8
Impact Resistance	2 m

中文

感谢您购买Olight LED手电筒，在使用前请详细阅读说明书，本说明书适用于M22 Warrior。

M22 Warrior (以下简称M22) 是一款安装了新一代CREE XM-L2 LED光源的尾按键战术手电，具有坚固、健壮的结构，光通量高达950流明，结合Olight丰富的战术应用配件如枪夹、滤镜、鼠尾等，M22能广泛应于执法、军警、户外、打猎等领域。

产品具有两个版本：不锈钢抛光攻击头版本和不锈钢发黑攻击头版本。

产品部件 (见Figure 1)

操作说明

1. 电池安装：(见 Figure 2)

旋开手电尾盖，取出电池套管，按照下图Figure 2所示将电池装入电池套管，然后将电池套管连同电池装入手电，注意正极朝手电头部（安装LED的一端），然后旋紧尾盖。

提示：电池套管专为CR123A电池而设计，不适合18650电池。

2. 使用手电：(见 Figure 3)

a) 重按下尾部按键点亮或关闭输出。

b) 开机状态下，通过往复旋紧/旋转转动头部与筒身来改变输出亮度，具体操作如下：

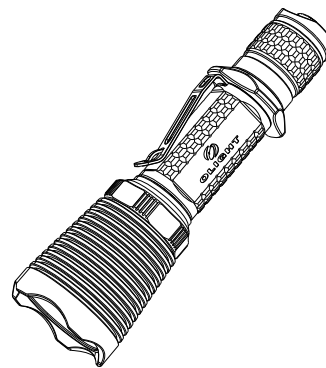
由松旋紧一次，输出亮度按预设顺序循环改变输出模式，顺序如下：低亮->中亮->高亮。关机时，自动记忆当前输出亮度。

c) 关机状态下，轻按尾按键，瞬时点亮输出；快速轻按2次尾按键输出高亮；快速轻按3次尾按键输出暴闪；重按下尾按键选定输出。

运行曲线 (见Figure 4)

规格参数

材料	铝合金，表面三级硬质氧化
体积	长144毫米,(头)直径41毫米,(筒身)直径25毫米
重量(不含电池)	146克(不包含电池)
颜色	黑色
发光二极管	Cree XM-L2
电池	2节CR123A 或 1节18650可充电电池
反光杯	光面杯
透镜	钢化加硬玻璃，双面镀增透膜
攻击头	不锈钢
开关	尾部正向开关
输出亮度级及动行时间	950流明/1小时，250流明/3小时，20流明/30小时
特殊模式	暴闪，10赫兹
中心光强度	23,256坎德拉
最大射程	305米
防水	IPX8
抗冲击	2米



LED FLASHLIGHT
Model: M22 WARRIOR
CREE XM-L2 LED

EN User's manual

中文 用户手册


OLIGHT[®]
We Make A Difference


OLIGHT[®]
We Make A Difference

Olight Technology Co., Limited
Address: 2/F East, Building A, B3 Block,
Fuhai Industrial Park, Fuyong, Bao'an
District, Shenzhen, China 518103
Tel: +86-755-81452608/81452618
Fax: +86-755-81452508
E-mail: service@olightworld.com
www.olightworld.com

深圳市欧莱特科技有限公司
地址: 深圳市宝安区福永镇福海工业区
B3区A栋二楼东
电话: 0755-81452608/81452618
传真: 0755-81452508
E-mail: service@olightworld.com
www.olightworld.com



Made In China

Included Items / 包装清单



Holster/手电包 x 1



Diffuser/柔光镜 x 1



Battery Magazine/电池套 x 1



Lanyard/挂绳 x 1



Spare O-rings / 备用防水圈 x 2



Silicon rubber boot
硅胶帽 x 1

M22 Flashlight / 手电 x 1

Manual (This manual) / 说明书
(本说明书)

Warranty Card / 保修卡

Figure 1 Product parts / 产品部件

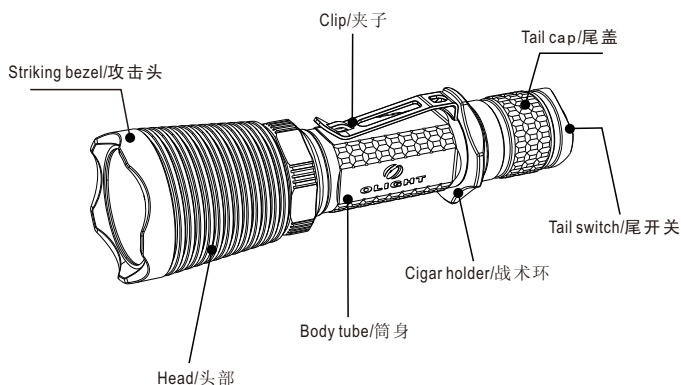


Figure 2 Battery installation / 电池安装

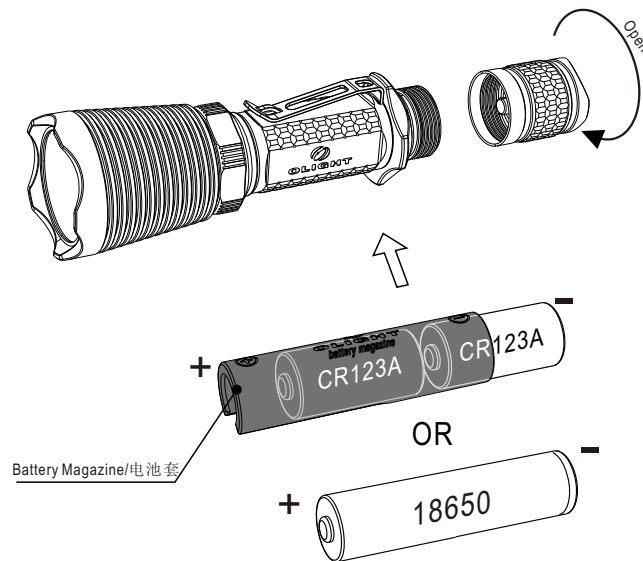


Figure 3 User interface / 用户操作界面

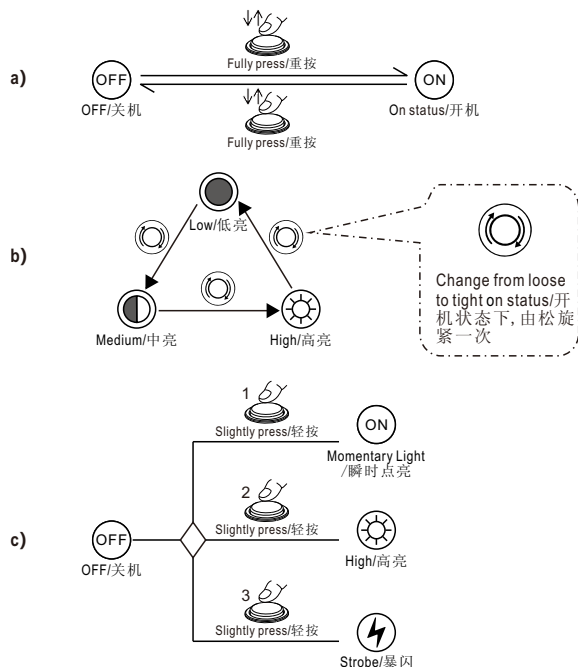


Figure 4 Output VS Runtime / 运行曲线

