



# Operator's Manual

**M21 Warrior Tactical LED Flashlight**

# Model Name

## **Olight M21 Warrior** (Use Luminus SST-50 LED)



Tough. Versatile. Multi-functional. Easy to operate.

Like the soldiers it's made for the Olight M21 Warrior a carefully honed combat gear. The M21's rugged body structure, stainless steel striking bezel, blindingly bright strobe light and multiple functions give it a strength and versatility never seen before in the hand-held lighting market. The M21 Warrior is all the lighting tool you need in the battlefield or on the job. Bright, rugged, and flexible the M21's multiple output levels and modes lend it a versatility and durability that make it the ideal tool for any task. The M21 Warrior is a great choice for personal protection; the blinding light and crenellated striking bezel on both ends give added effectiveness when used for self-defense.

# Versions

## 1) Olight M21 Warrior

Utilizes Luminus SST-50 LED

### Output & Runtime

20 lm (30hrs)-80 lm (18hrs)-500 lm (4hrs), Strobe

**Batteries:** 2 x CR123A , 2 x RCR123A, 2 x16340  
1 x18650, 1 x 17670

**Dimension:** Length:145.5mm (5.7"),  
Bezel Diameter : 40.2mm(1.6");  
Body Diameter : 24.8mm(0.98");

**Weight:** 119g(4.2 oz) without batteries

**Accessories:** Includes one holster, one lanyard, four spare O-rings, one tactical tail cap rubber boot, one battery magazine and one ring cover.

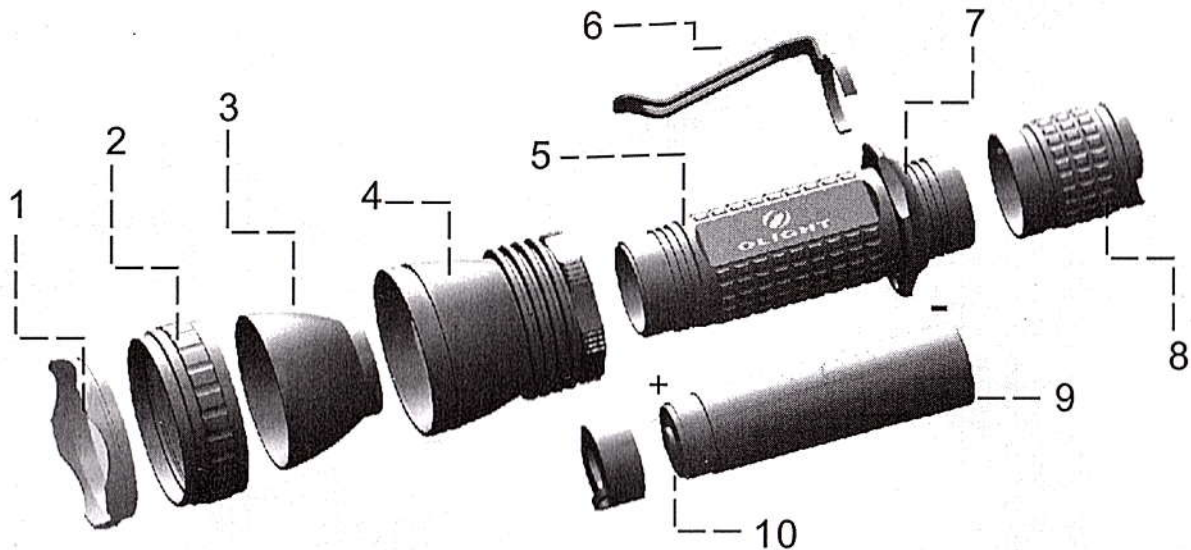
# Features

- World-class super bright Luminus SST-50 LED
- Max 500 lumens
- Tactical momentary-on forward switch, protruding switch for easy momentary or click to lock on
- Auto memorization of specific function for instant access
- Linear functional adjustment for easy change of functions
- Front removable stainless steel striking bezel and rear striking bezel, removed for daily use, installed for close quarter combat
- Superior heat sink that disperses heat to protect LED and electrical components
- Ergonomic design with solid structure for easy operation
- Full orange peel reflector for flawless wide beam
- Rugged indestructible aluminum body with anti-scratching type III hard anodization

# Features

- Strong / quick to release lanyard to prevent loss and easy access
- Mil-spec: MIL-STD-810F
- IP68 Water resistant
- Anti-shattering ultra clear lens, anti-scratching and anti-slip
- Metal 'cigar hold' ring optimally positioned offer additional anti-roll properties and is pre-installed but removable for smoother body hold
- Engineered anti-slip body texture that give you a firm tight grip
- Built-in Stainless steel pocket clip
- Advanced digital power management system for best smooth and even brightness during battery life time

# Operation Introduction



No	Name	No	Name
1	Striking Bezel	6	Pocket Clip
2	Head(Upside)	7	Cigar hold
3	Reflector	8	Tail cap
4	Head(Downside)	9	Battery Magazine
5	Battery Tube	10	Battery

For momentary light, gently press (no click) the tail cap pushbutton switch.  
 For constant light, fully press (click) the tail cap pushbutton switch.

To switch functions, click on the light, loosen the head (see figure 4) by 1/8 of a circle and then tighten it down, the light will move to the next function. Repeat the same operation for further functions.

Battery installation should be performed as shown in figure 9. The stainless steel strike bezel is removable, see figure 1.

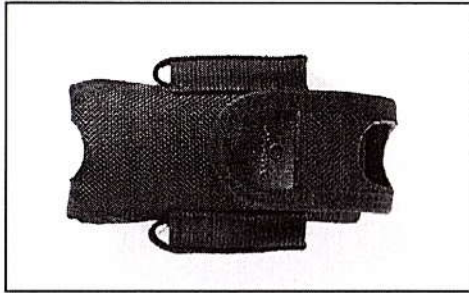
Pocket clip is removable by rotating the 'cigar hold' ring counter-clockwise, see figure 6.

## Usage and Maintenance

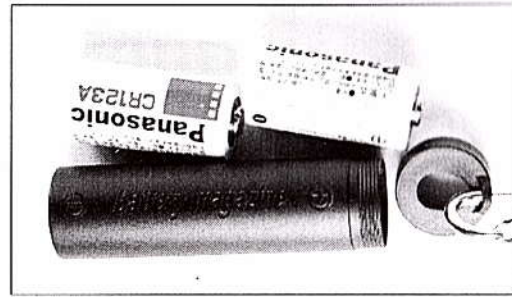
Use quality batteries so as not to damage the light due to leaks or other self-destructive possibilities. Remove batteries when light will not be used for an extended period or if batteries are discharged. When using Li-Ion batteries Olight only recommends the use of 'protected' batteries that limit charge and discharge.

Clean contacts, threads and O-rings of the flashlight with clean cloth from time to time when necessary. Should flicker or doesn't light up this is the most likely cause. If flashlight is used in wet environment, lubricate O-rings frequently to maintain watertight seal. After prolonged exposure to moisture, the bezel, lamp, and batteries should be removed, inspected, and cleaned if necessary.

# Optional Accessories



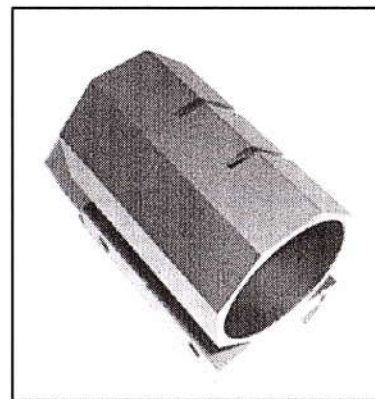
Holster



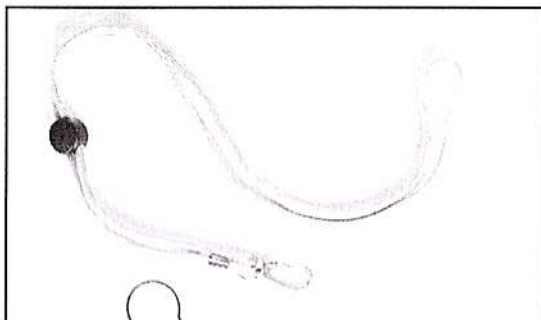
Battery Magazine



Remote Pressure  
Switch



Weapon Mount



Lanyard



Pocket Clip



# Warranty

Olight™ warrants its products to be free from defects in materials and workmanship. Within 30 days after receipt, any defective lights will be offered free replacement by Olight™ distributors unconditionally. Olight™ will repair or replace, at its option and without charge, any product or part which is found to be defective under normal use and service within 24 months counting from the date of purchasing with proof of purchase, Such repair or replacement shall be the purchaser's sole and exclusive remedy under this warranty, This warranty does not cover normal maintenance and service and does not apply to any products or parts which have been subject to modification, misuse, negligence, accident, improper maintenance or repair by anyone other than Olight™ .

As to those exceed 24 months of the purchase date, Olight will still provide with warranty service. Labor is free but cost of parts will be charged. Freight should be paid by customers.

## Warranty Limitation:

There is no other express warranty. Olight hereby disclaims any and all implied warranties, including but not limited to fitness for a particular purpose. Olight shall not be liable for incidental, consequential, or special damages arising out of, or connection with, product use or performance.



Olight Technology Co., Limited

[www.olightworld.com](http://www.olightworld.com)

Tel: +86-755-2346 3312

Fax: +86-755-2346 3537

Email: [olightworld@gmail.com](mailto:olightworld@gmail.com)