



Operator' s Manual

M20 Warrior Tactical LED Flashlight

Model Name

Olight M20 Warrior Premium (Uses Cree R2 LED)

Olight M20 Warrior (Uses Cree Q5 LED)



Tough. Versatile. Multi-functional. Easy to operate.

Like the soldiers it's made for the Olight M20 Warrior is a carefully honed combat gear. The M20's rugged body structure, stainless steel striking bezel, blindingly bright strobe light and multiple functions give it a strength and versatility never seen before in the hand-held lighting market. The M20 Warrior is all the lighting tool you need in the battlefield or on the job. Bright, rugged, and flexible the M20's multiple output levels and modes lend it a versatility and durability that make it the ideal tool for any task. The M20 Warrior is a great choice for personal protection; the blinding light and crenellated striking bezel on both ends give added effectiveness when used for self-defense.

Versions

1) **Olight M20 Warrior Premium:**

Utilizes Cree 7090 XR-E R2 LED, lifetime 50,000 hours

2) **Olight M20 Warrior:**

Utilizes Cree 7090 XR-E Q5 LED, lifetime 50,000 hours

Output & Runtime

Olight M20 Warrior Premium	7lm (150hrs)-90 lm (12hrs)- 250 lm (4hrs); Strobe
Olight M20 Warrior	6 lm (150hrs)-80 lm (12hrs)- 230 lm (4hrs), Strobe

Note: High level for 4 hours is with 2500mAh 18650

Batteries: 2 x CR123A , 2 x RCR123A, 2 x16340
1 x18650, 1 x 17670

Dimensions: Length:140mm (5.5"),
Bezel Diameter : 33.5mm(1.3");
Body Diameter: 24.80 mm (0.98")

Weight: 120.5g without batteries

Accessories: Includes one holster, one lanyard, two spare O-rings, one spare fluorescent tail cap rubber boot and one battery magazine

Color: Two color choices: black or olive green

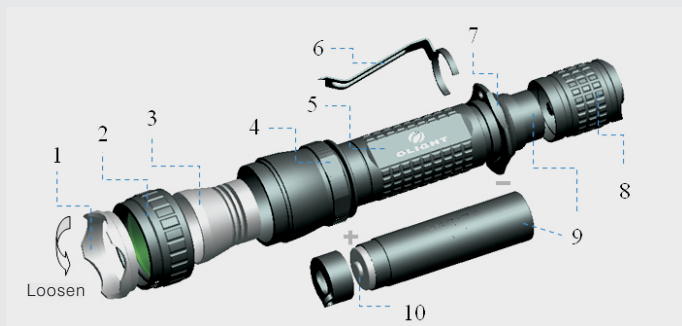
Features

- World-class super bright Cree XR-E R2 (Premium) or Q5 LED
- Max 250 meters/ 273 yards/ 820 feet long throw
- Max 250 lumens for Premium edition
- Max 150 hours long runtime
- Tactical momentary-on forward switch, protruding switch for easy momentary or click to lock on
- Auto memorization of specific function for instant access
- Linear functional adjustment for easy change of functions
- Front removable stainless steel striking bezel and rear striking bezel, removed for daily use, installed for close quarter combat
- Superior heat sink that disperses heat to protect LED and electrical components
- Ergonomic design with solid structure for easy operation
- Full orange peel reflector, perfectly centered light source, for flawless beam with the longest shot
- Rugged indestructible aluminum body with anti-scratching type III hard anodization

Features

- Advanced low battery indication, blink three times every 20 seconds when battery power is low
- Cutting-edge reverse polarity protection, with the right batteries, you can leave them in long direction for extended period, it will not burn the circuit
- Strong / quick to release lanyard to prevent loss and easy access
- Mil-spec: MIL-STD-810F
- Highly Water resistant
- Anti-shattering ultra clear lens, anti-scratching and anti-slip
- Lock-out function to prevent accidental activation
- Metal 'cigar hold' ring optimally positioned offer additional Anti-roll properties and is pre-installed but removable for Smoother body hold
- Engineered anti-slip body texture that give you a firm tight grip
- Built-in steel pocket clip
- Multi-choices for black or olive green finish
- Advanced digital power management system for best smooth and even brightness during battery life time

Operation Introduction



No	Name	No	Name
1	Striking Bezel	6	Clip
2	Head(Upside)	7	Tactical Ring
3	Reflector	8	Tailcap
4	Head(Downside)	9	Battery Magazine
5	Battery Tube	10	Battery

For momentary light, gently press (no click) the tailcap pushbutton switch.
For constant light, fully press (click) the tailcap pushbutton switch.

To switch functions, click on the light, loosen the head (see figure 4) by 1/8 of a circle and then tighten it down, the light will move to the next function. Repeat the same operation for further functions.

Lockout Mode: To lock out the switch, rotate the tailcap(see figure 8) Approximately 180° counter-clockwise. The lock-out position prevents accidental activation during storage or transport.

Battery installation should be performed as shown in figure 9. The flashlight will not turn on if batteries are installed incorrectly but the circuit is protected against damage from reverse polarity. The stainless steel strike bezel is removable, see figure 1. Rotate bezel (front) of flashlight counter-clockwise to remove the reflector, see figures 2 & 3. Caution: be sure not to touch, handle or contact in any way the inner surface of the reflector as it will be irrevocably damaged by handling. Replace bezel and re-install by screwing in clockwise. Pocket clip is removable by rotating the 'cigar hold' ring counter-clockwise, see figure 6.

Usage and Maintenance

Use quality batteries so as not to damage the light due to leaks or other self-destructive possibilities. Remove batteries when light will not be used for an extended period or if batteries are discharged. When using Li-Ion batteries Olight only recommends the use of 'protected' batteries that limit charge and discharge.

Clean contacts, threads and O-rings of the flashlight with clean cloth from time to time when necessary. Should flickers or doesn't light up this is the most likely cause. If flashlight is used in wet environment, lubricate O-rings frequently to maintain watertight seal. After prolonged exposure to moisture, the bezel, lamp, and batteries should be removed, inspected, and cleaned if necessary.

Optional Accessories



Reflectors



Battery Magazine



Remote Pressure Switch



Holster



Weapon Mount



Lanyard



Pocket Clip

Warranty

No Hassle Lifetime Guarantee: Batteries will deplete, switches will wear out, electronics will burn out, rubber boots and O-rings will age. Everything else is covered by our lifetime no-hassle guarantee: if it breaks, we fix it!

Olight warrants its products to be free from defects in materials and workmanship. Olight will repair or replace, at its option and without charge, any product or part which is found to be defective under normal use and service with proof of purchase. Such repair or replacement shall be the purchaser's sole and exclusive remedy under this warranty. This warranty does not cover normal maintenance and service and does not apply to any products or parts which have been subject to modification, misuse, negligence, accident, improper maintenance or repair by anyone other than Olight.

Warranty Limitation:

There is no other express warranty. Olight hereby disclaims any and all implied warranties, including but not limited to fitness for a particular purpose. Olight shall not be liable for incidental, consequential, or special damages arising out of, or connection with, product use or performance.



Olight Technology Co., Limited

www.olightworld.com

Tel: +86-755-26409372

Fax: +86-755-26411547

Email: olight@olightworld.com

olightworld@gmail.com

www.DrMemory.com/Olight