



Operator's Manual

M20 Crimson LED Flashlight



Olight Technology Co., Limited

www.olightworld.com

Tel: +86-755-2346 3312

Fax: +86-755-2346 3537

Email: olight@olightworld.com

olightworld@gmail.com

Model Name

Olight M20 Crimson



M20 Crimson is one member of excellent M20 series. It's a special illumination tool lighting red beam with very simple function. It could be applied for hunting and other purpose.

.1.

Features

Olight M20 Crimson:

Utilizes Cree XP-E R2 RED LED, lifetime 50,000 hours

---105 lumens, 2.3 hours

Batteries: 2 x CR123A , 2 x RCR123A, 2 x16340
1 x18650, 1 x 17670

Dimensions: Length:140mm (5.5"),
Bezel Diameter : 33.5mm(1.3");
Body Diameter: 24.80 mm (0.98")

Weight: 120.5g without batteries

Colour: black

Accessories: one holster, one lanyard, two spare O-rings, one spare fluorescent tall cap rubber boot and one battery magazine

.2.

Features

- World-class super bright Cree XP-E R2 RED LED
- 105 lumens, 2.3 hours
- Tactical momentary-on forward switch, protruding switch for easy momentary or click to lock on
- Front removable stainless steel striking bezel and rear striking bezel, removed for daily use, installed for close quarter combat
- Superior heat sink that disperses heat to protect LED and electronic components
- Solid structure for easy operation
- Full orange peel reflector, perfectly centered light source, for flawless beam
- Rugged indestructible aluminum body with anti-scratching type III hard anodization
- Battery polarity reverse protection
- Strong / quick to release lanyard to prevent loss and easy access
- Mil-spec: MIL-STD-810F
- Highly Water resistant

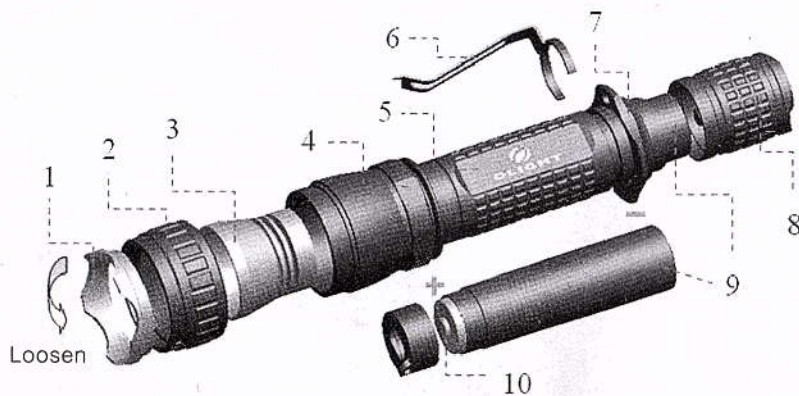
.3.

Features

- Anti-shattering ultra clear lens, anti-scratching and anti-slip
- Lock-out function to prevent accidental activation
- Metal 'cigar hold' ring optimally positioned offer additional Anti-roll properties and is pre-installed but removable for smoother body hold
- Engineered anti-slip body texture that give you a firm tight grip
- Strong steel pocket clip
- Advanced digital power management system for the most smooth and highest brightness within battery lifetime.

.4.

Operation Introduction



No	Name	No	Name
1	Striking Bezel	6	Clip
2	Head(Upside)	7	Tactical Ring
3	Reflector	8	Tailcap
4	Head(Downside)	9	Battery Magazine
5	Battery Tube	10	Battery

Operation:

1.Install/uninstall batteries:

Open the tail-cap and take off the battery magazine. Insert the batteries into battery magazine, the positive pole of battery towards the head of battery magazine (see figure 10). Screw the cap of magazine, then place the magazine into the light, the battery magazine head should be same direction with the light head. After doing that, tightly mount the tail-cap.

Uninstalling operation is reversed sequence with above.

2.Turn on/off the light: Click (press down then release) the tail switch;

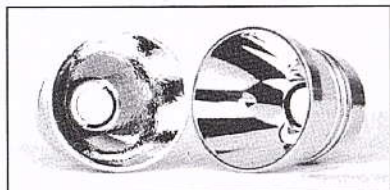
3.Momentarily light: Half press (gently press and hold) the tail switch will power up the light, output stop once the switch released

Usage and Maintenance

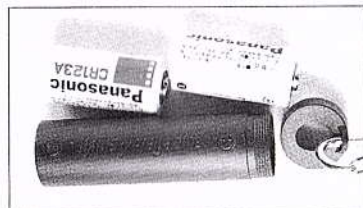
Use qualified batteries so as not to damage the light due to leaks or other self-destructive possibilities. Remove batteries when light will not be used for an extended period or if batteries are discharged. When using Li-Ion batteries Olight only recommends the use of 'protected' batteries that restrict charge and discharge.

Clean contacts, threads and O-rings of the flashlight with clean cloth when necessary. Random flickering or not lighting -up might be caused by improper maintenance. If flashlight is used in wet environment, lubricate O-rings frequently to maintain watertight seal. After prolonged exposure to moisture, the bezel, lamp, and batteries should be removed, inspected, and cleaned if necessary.

Optional Accessories



Reflectors



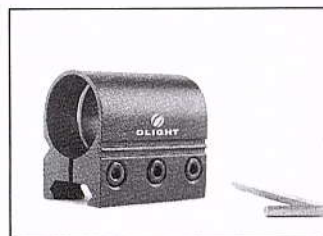
Battery Magazine



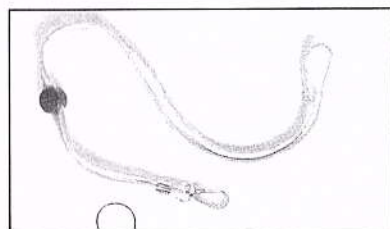
Remote Pressure
Switch



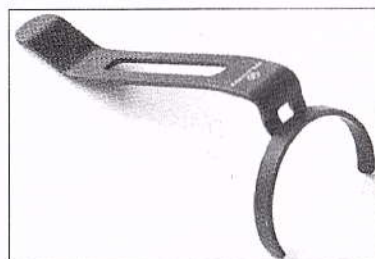
Holster



Weapon Mount



Lanyard



Pocket Clip

Warranty

Olight™ warrants its products to be free from defects in materials and workmanship. Within 30 days after receipt, any defective lights will be offered free replacement by Olight™ distributors unconditionally. Olight™ will repair or replace, at its option and without charge, any product or part which is found to be defective under normal use and service within 24 months counting from the date of purchasing with proof of purchase. Such repair or replacement shall be the purchaser's sole and exclusive remedy under this warranty. This warranty does not cover normal maintenance and service and does not apply to any products or parts which have been subject to modification, misuse, negligence, accident, improper maintenance or repair by anyone other than Olight™.

As to those exceed 24 months of the purchase date, Olight will still provide with warranty service. Labor is free but cost of parts will be charged. Freight should be paid by customers.

Warranty Limitation:

There is no other express warranty. Olight hereby disclaims any and all implied warranties, including but not limited to fitness for a particular purpose. Olight shall not be liable for incidental, consequential, or special damages arising out of, or connection with, product use or performance.