

USER MANUAL

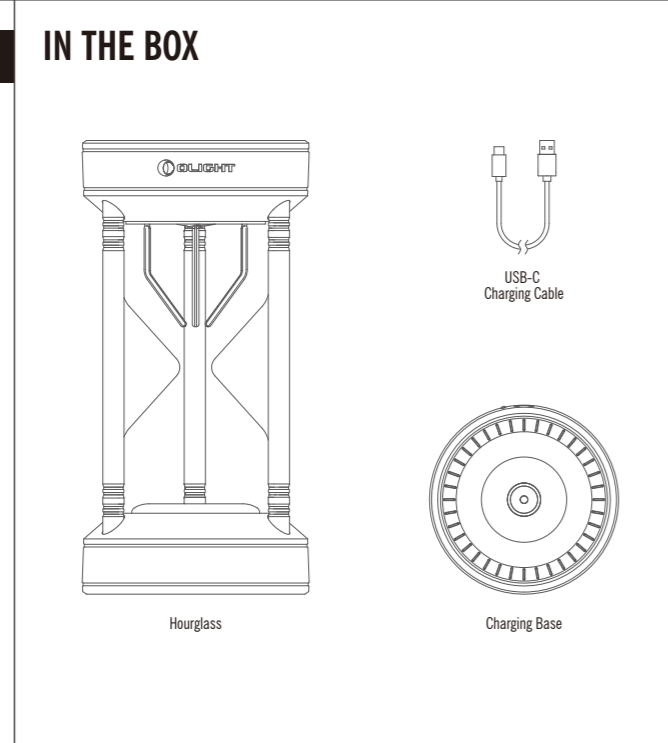


Table 1: Hourglass

NEUTRAL WHITE LIGHT MODE LIGHT SOURCE 16 x MAX 0.5W/LED			CCT: 5000K-5500K
HIGH	300 lumens	100%	6.5h
LOW	10 lumens	30%	77h
WARM ORANGE LIGHT MODE LIGHT SOURCE 3 x MAX 3W/LED			CCT: 1900K-2100K
HIGH	100 lumens	100%	16.5h
LOW	1 lumen	30%	110h

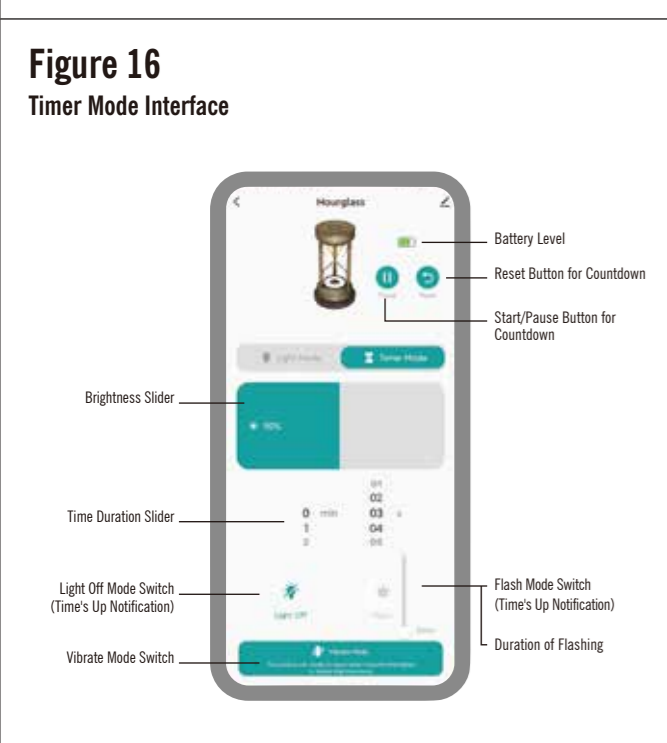
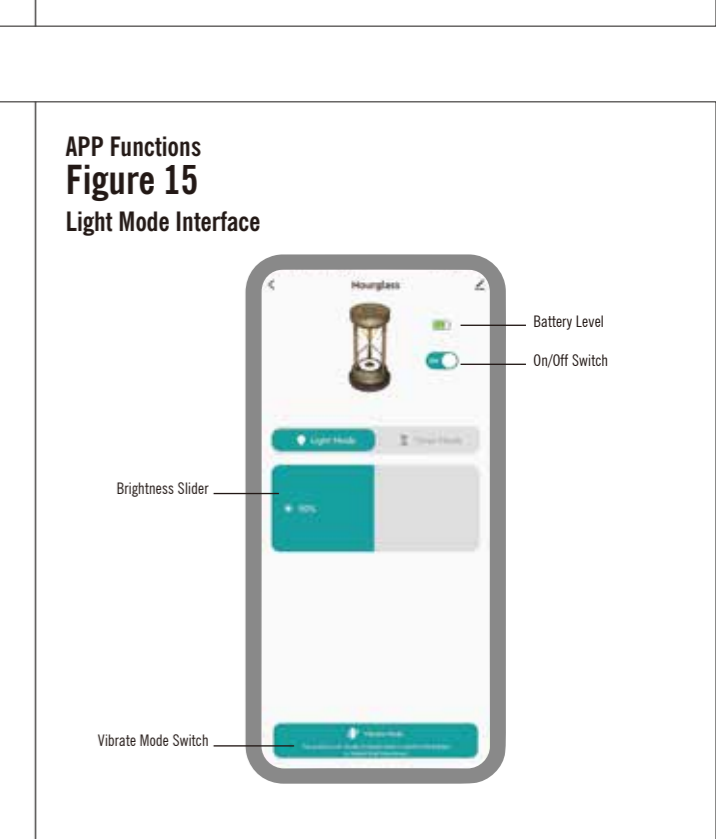
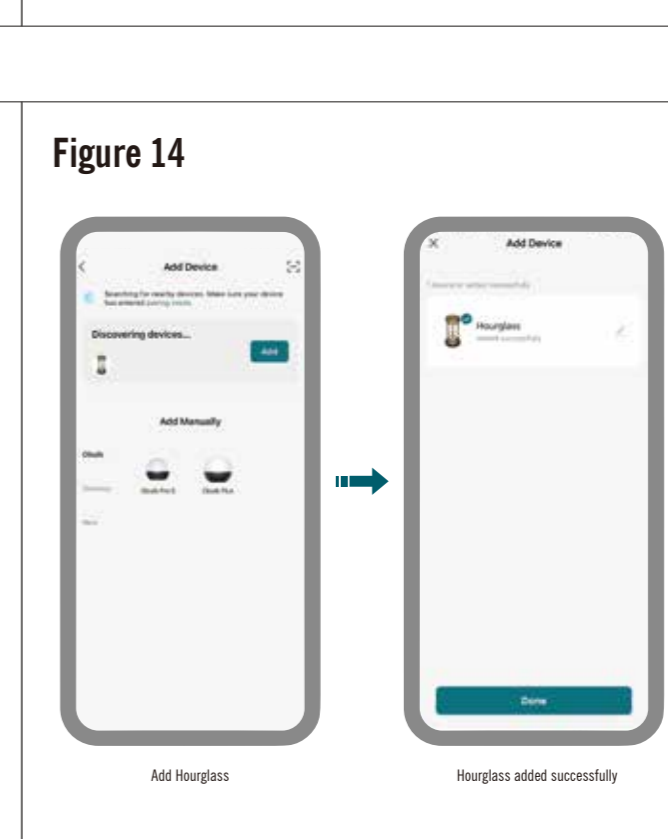
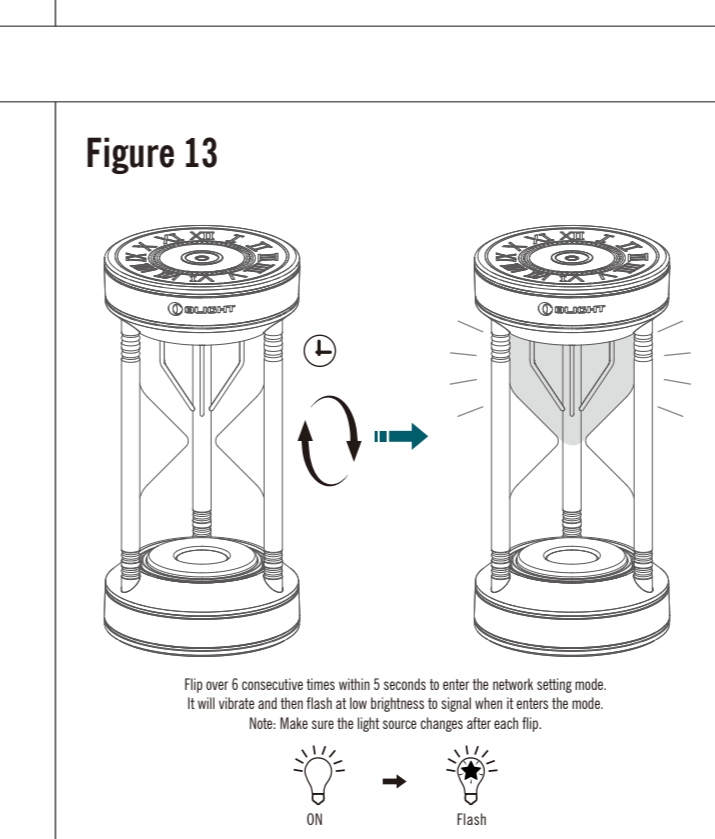
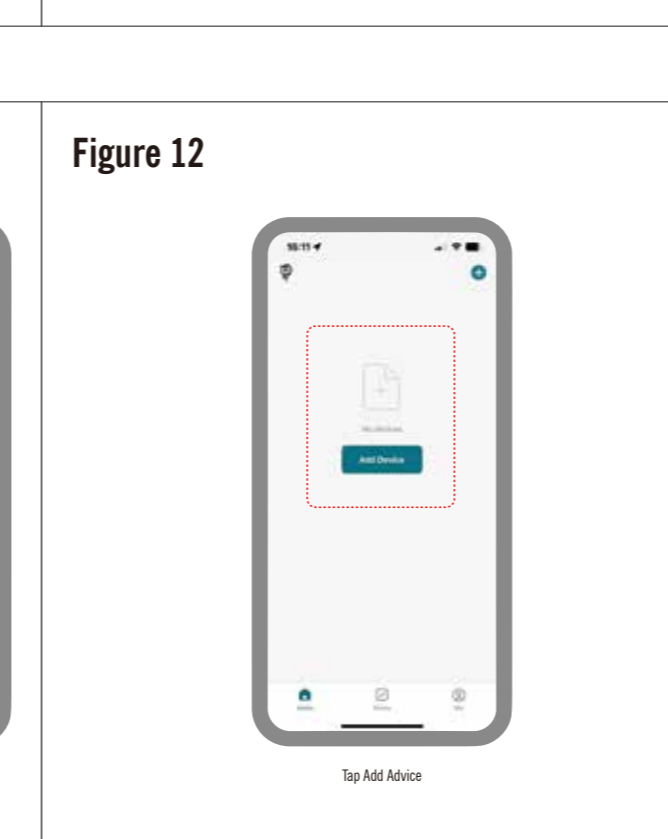
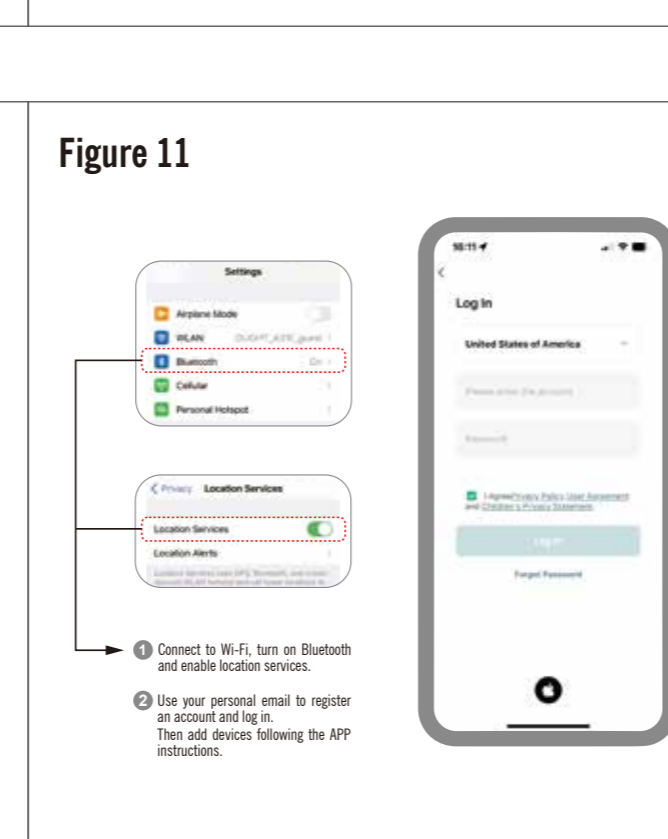
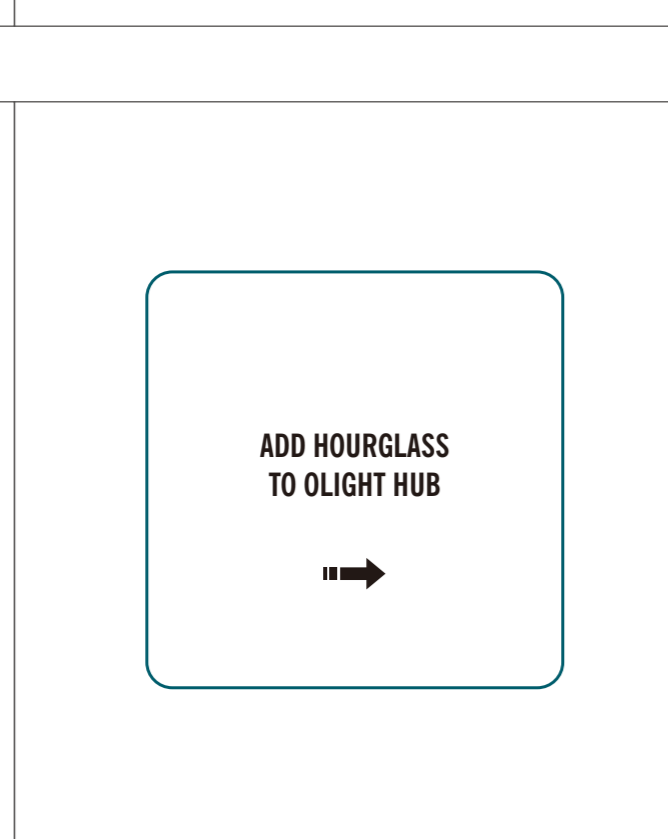
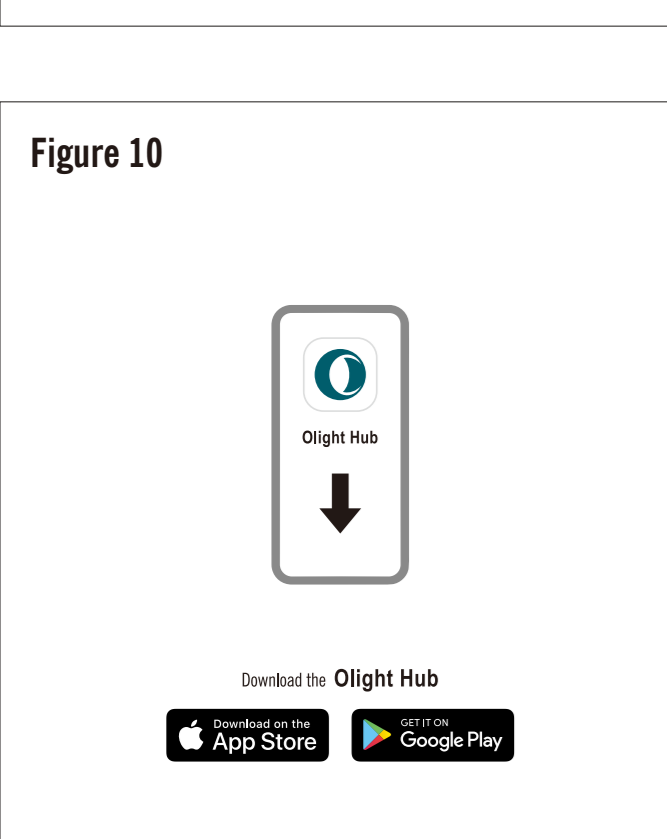
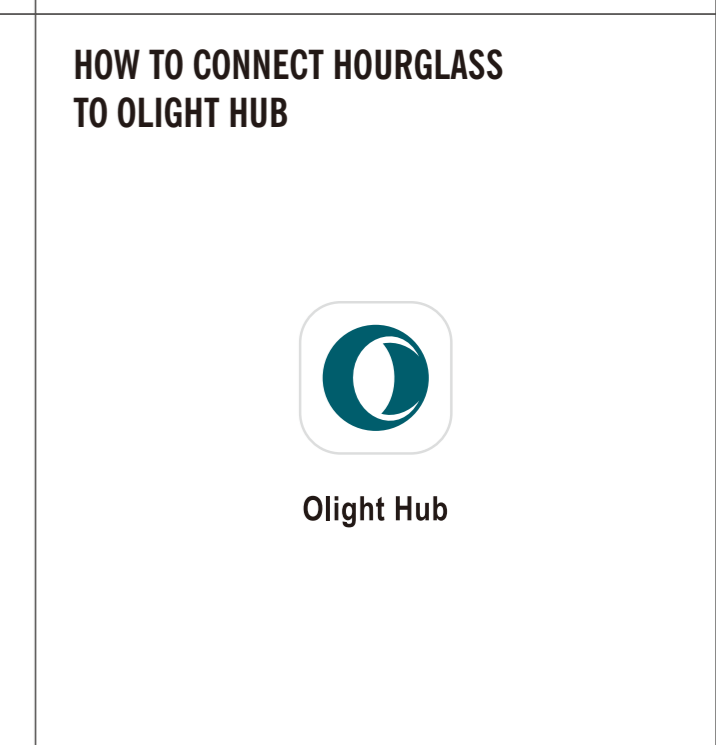
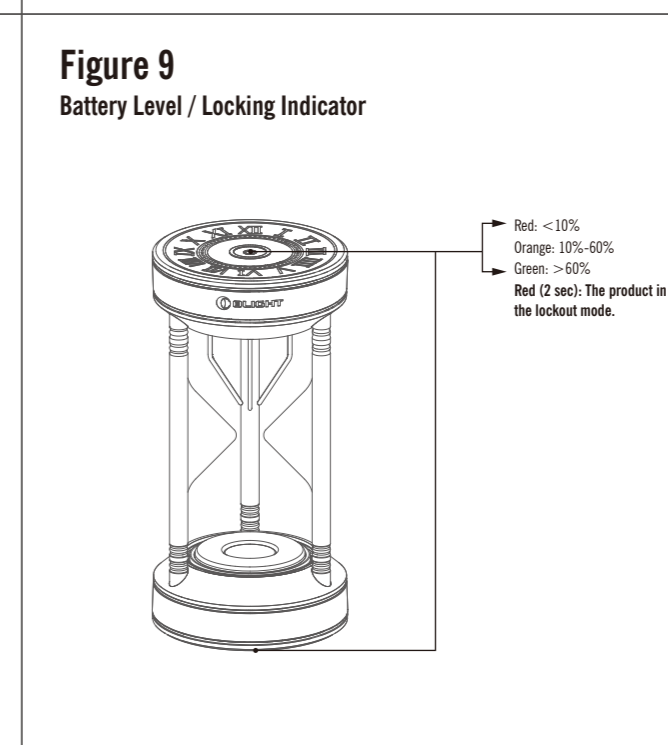
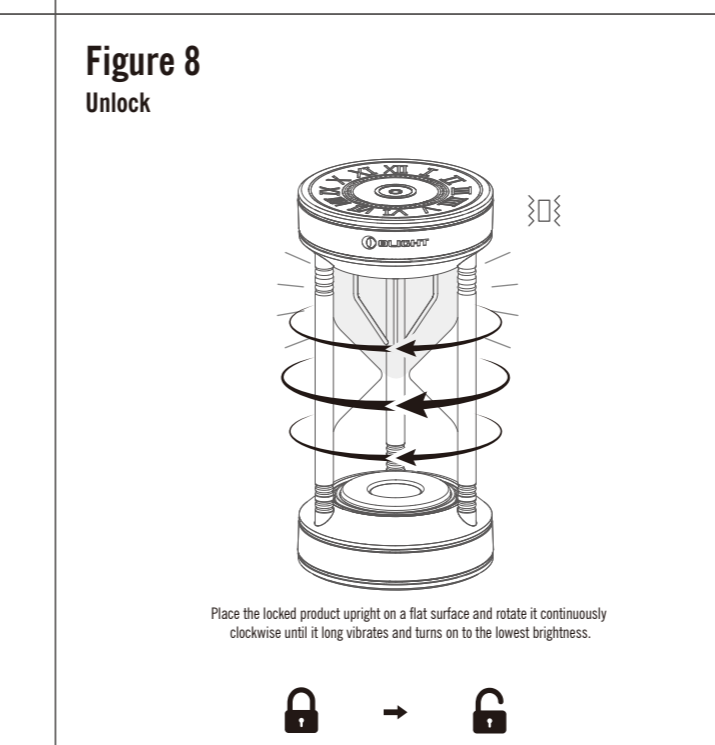
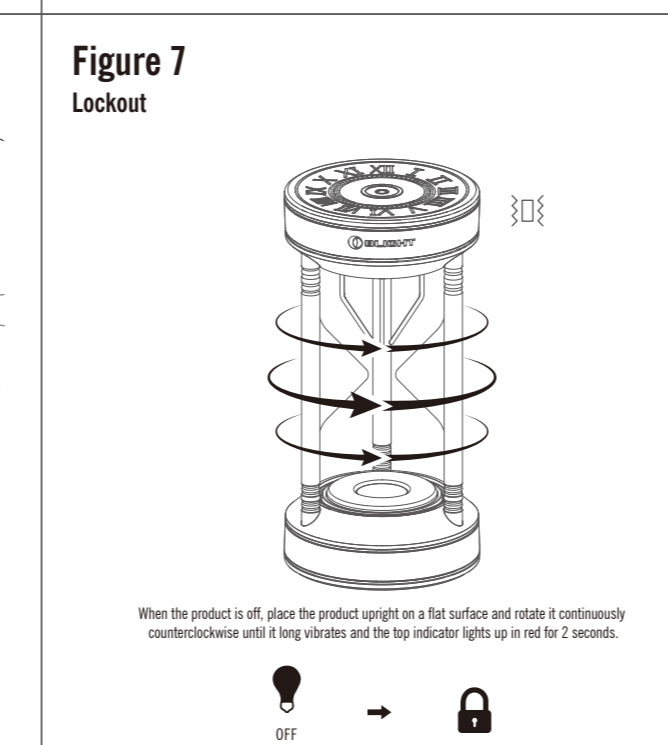
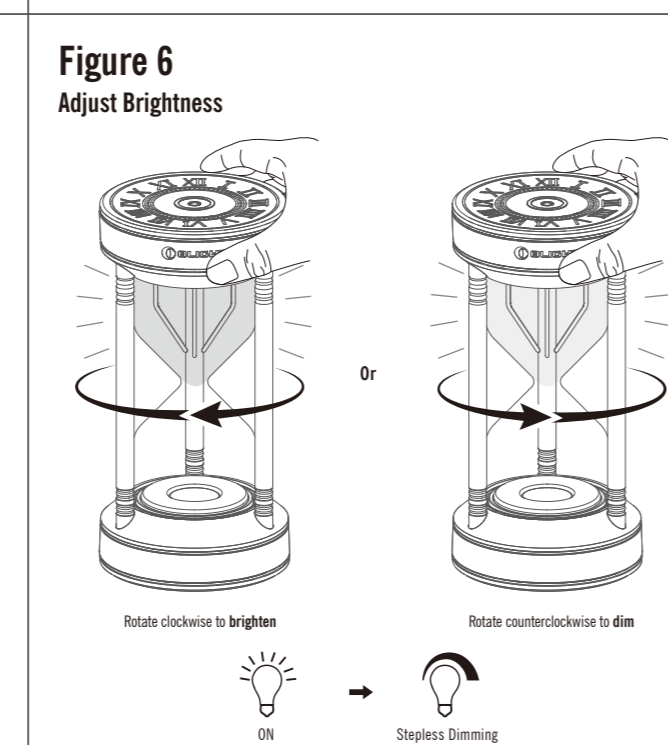
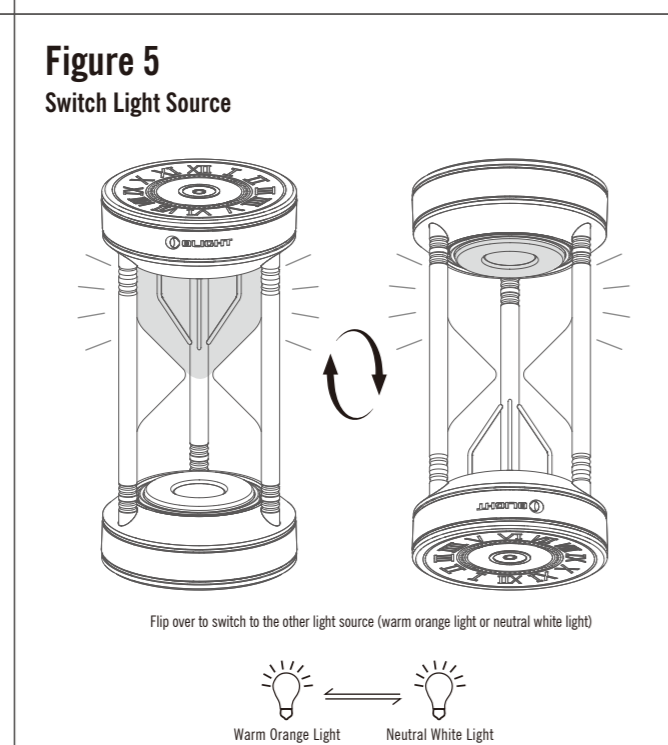
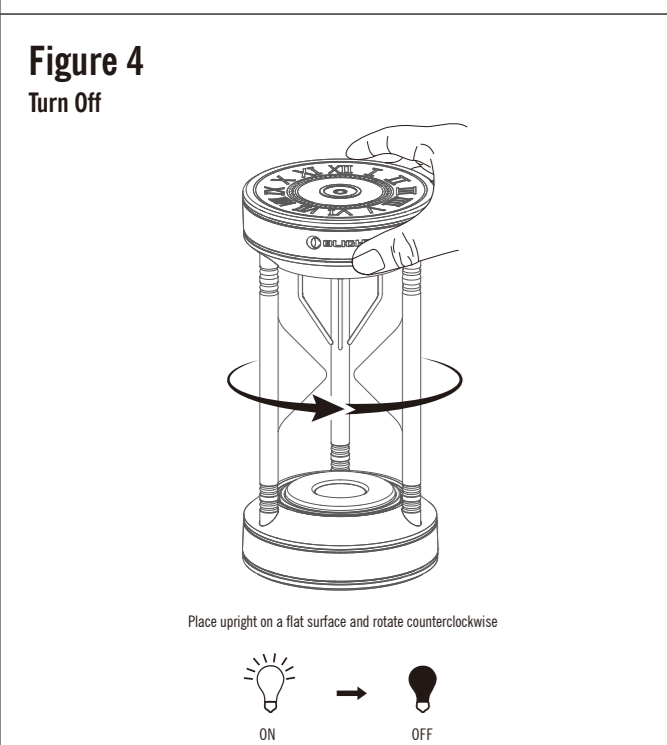
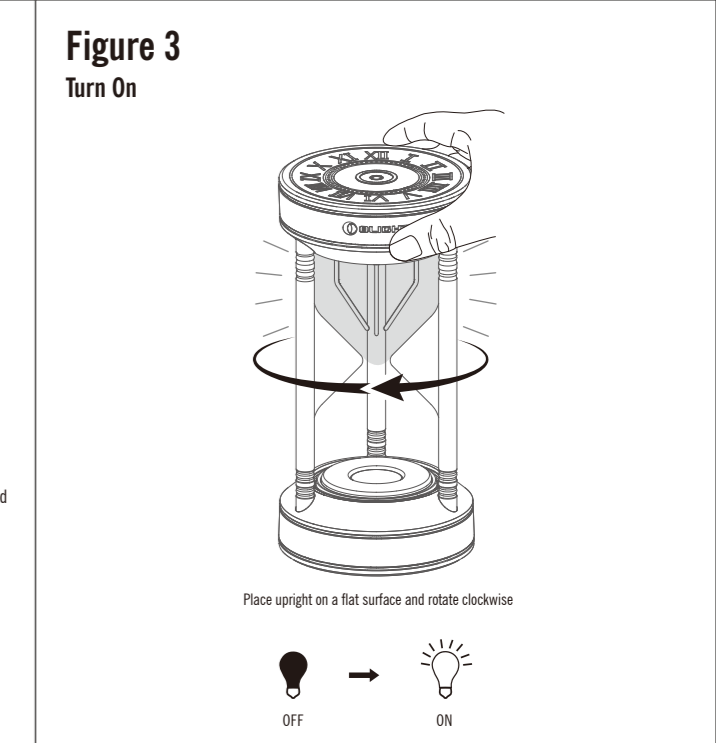
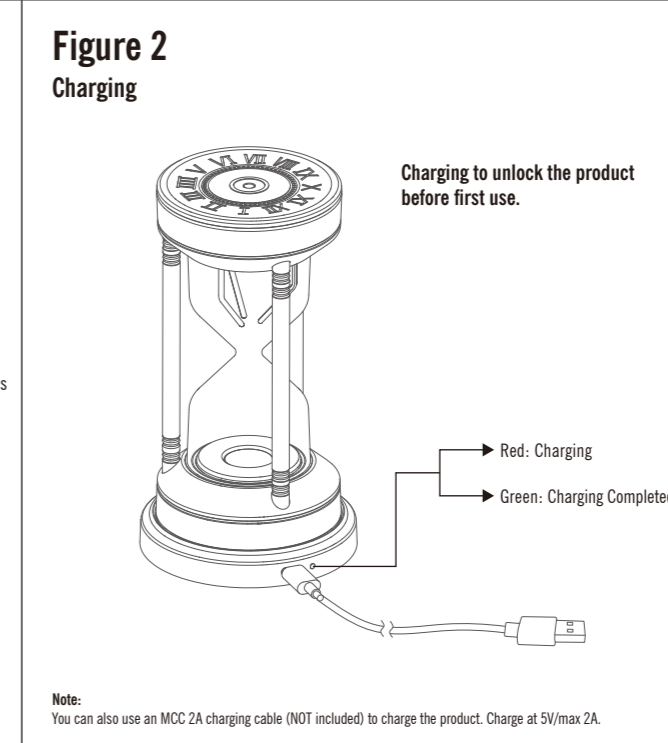
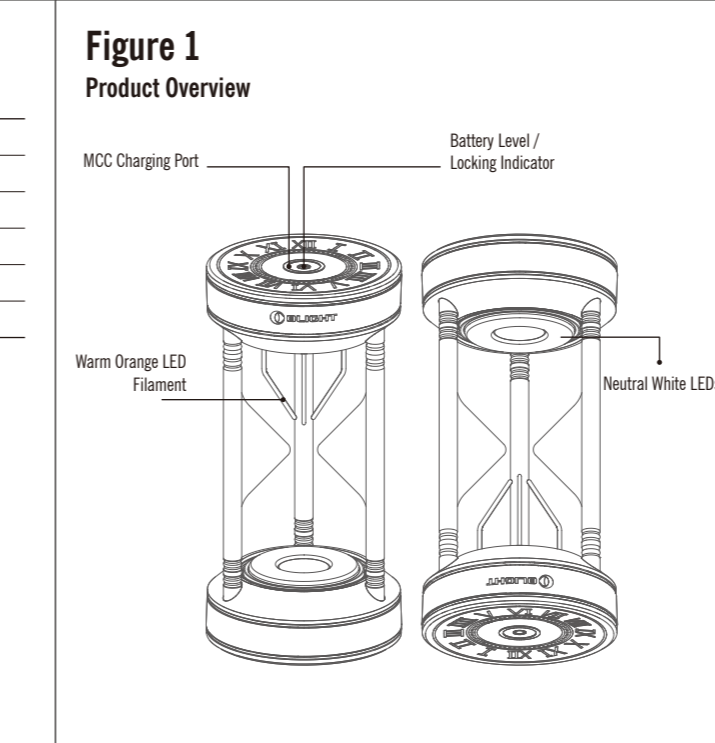
IPX5 0.8m 650g/22.93oz Working temperature 0-45°C

Rechargeable Li-ion Battery 8800mAh 3.6V (31.68Wh)

* Above data are tested per ANSI/PLATO FL 1-2019 standard in Olight's labs for reference.

Table 2: Charging Base

Main Body	ABS, PC
Dimensions	100*16.5 mm / 3.94*0.65 in
Weight	55 g / 1.94 oz
Input	DC 5V / 2A (Max)
Output	1A / 1.5A / 2A
Time to Fully Charge Hourglass	6 H



How to operate:

- Product specifications, see Table 1 & 2;
- Product overview, see Figure 1;
- Operating instructions are as follows:
- Charging, see Figure 2;
- Before first use, please charge the product to unlock it.
- Turn on, see Figure 3;
- Turn off, see Figure 4;
- Switch light source, see Figure 5;
- Adjust brightness, see Figure 6;
- Lockout, see Figure 7;
- When the product is off, place the product upright on a flat surface and rotate it continuously counterclockwise until it long vibrates and the top indicator lights up in red for 2 seconds.
- Unlock, see Figure 8;
- Place the locked product upright on a flat surface and rotate it continuously clockwise until it long vibrates and turns on to the lowest brightness.
- Battery level / locking indicator, see Figure 9;
- Power saving mode:
- If the product is left off with no operation and no charging for 8 hours, it will automatically enter the power saving mode in which wireless connection will be turned off. When an operation is performed to the product, the power saving mode will be automatically exited.
- If the product's battery is low, it will automatically enter the power saving mode after 10 minutes of no operation and no charging.
- APP operation instructions are as follows:
- 13.1 Download and install the APP; see Figure 10;

13.2 Connect to Wi-Fi, turn on Bluetooth and log in to the APP; see Figure 11;

13.3 Add devices, see Figure 12;

13.4 Enter the network setting mode, see Figure 13;

When the product is lit, flip it over 6 consecutive times within 5 seconds to enter the network setting mode. (Make sure the light source changes after each flip.) It will vibrate and then flash at low brightness to signal when it enters the mode. Place it upright on a flat surface until it is successfully added.

13.5 New device added, see Figure 14;

14. App Functions:

14.1 Light mode interface, see Figure 15;

14.2 Timer mode interface, see Figure 16.

Danger

- DO NOT stare directly at the light or shine the light directly into human eyes. This may cause temporary blindness or permanent damage to the eyes.

Warning

- DO NOT store the product in the car or any place where the temperature may exceed 140°F (60°C).
- Fully charge the product before storing it for a long period of time.
- DO NOT place the product in any dusty environment. Otherwise, the dust may enter the gaps between the parts and cause it to malfunction.
- DO NOT disassemble the product.
- DO NOT immerse the product in sawwater or other corrosive media to avoid damage to the product.
- Please prevent it from falling and handle it with care.

EXCLUSION CLAUSE

Olight is not liable for damages or injuries sustained resulting from the usage of the product inconsistent with the warnings in the manual, including but not limited to using the product inconsistent with the recommended lockout mode.

EU Declaration of Conformity

Herby Dongguan Olight E-Commerce Technology Co., Ltd declares that the equipment (Hourglass) is in compliance with Directive 2014/53/EU and RoHS Directive 2011/65/EU & (EU) 2015/863. The full text of the EU declaration of conformity is available at the following internet address: <https://www.olight.com/download>

For Europe Frequency

Operation Frequency: BT: 2402MHz-2480MHz

Maximum Output Power: BT ≤ 10dBm

WEEE Disposal and Recycling Information

All products bearing this symbol are waste electrical and electronic equipment (WEEE as in directive 2012/19/EU) which should not be mixed with unsorted household waste. Instead, to protect human health and the environment, you should dispose of your waste equipment at a designated collection point for the recycling of WEEE, appointed by the government or local authorities. Proper disposal and recycling will help prevent potential negative consequences to the environment and human health. Please contact the installer or local authorities for more information about the location as well as terms and conditions of such collection points.

FCC Compliance Statement

This device complies with part 15 of the FCC Rules. Operation is subject to the following two conditions:
(1) This device may not cause harmful interference, and
(2) This device must accept any interference received, including interference that may cause undesired operation. Any changes or modifications not expressly approved by the party responsible for compliance could void the user's authority to operate the equipment.

Note: This equipment has been tested and found to comply with the limits for a Class B digital device, pursuant to part 15 of the FCC Rules. These limits are designed to provide reasonable protection against harmful interference in a residential installation. This equipment generates uses and can radiate radio frequency energy and, if not installed and used in accordance with the instructions, may cause harmful interference to radio communications. However, there is no guarantee that interference will not occur in a particular installation. If this equipment does cause harmful interference to radio or television reception, which can be determined by turning the equipment off and on, the user is encouraged to try to correct the interference by one or more of the following measures:
-Reorient or relocate the receiving antenna.
-Increase the separation between the equipment and receiver.
-Connect the equipment into an outlet on a circuit different from that to which the receiver is connected.
-Consult the dealer or an experienced radio/TV technician for help.
This equipment complies with FCC radiation exposure limits set forth for an uncontrolled environment. This equipment should be installed and operated with a minimum distance of 20cm between the radiator & your body.

Control distance 30m

The light source of this luminaire is not replaceable; when the light source reaches its end of life the whole luminaire shall be replaced.

WARRANTY

We are proud to offer a lifetime warranty in Australia, China, France, Germany, and the USA. We are also working hard to expand coverage to more countries, where we provide a 2 or 5-year warranty. The warranty covers defects in material and workmanship under normal use, excluding loss, theft, deliberate damage, or cosmetic damage. For complete warranty information, please visit Olight.com or your local Olight official website.

Australia Customer Support
contact@olightstore.com.au

Austria Customer Support
kontakt@olightstore.at

Canada Customer Support
cs@olightstore.ca

China Customer Support
Wechat: olightcs

France Customer Support
cs@olightstore.fr

Germany Customer Support
kontakt@olightstore.de

Italy Customer Support
contact@olightstore.it

Japan Customer Support
cs@olightstore.jp

Korea Customer Support
olightkorea@olight.com

Spain Customer Support
contact@olightstore.es

Thailand Customer Support
cs@olightstore.th

UK Customer Support
contact@olightstore.uk

USA Customer Support
cs@olightstore.com

For other countries and regions, please contact Global Customer Support
contact@olight.com

OOLIGHT

Dongguan Olight E-Commerce Technology Co., Ltd

4th Floor, Building 4, Keju Industrial Park, No. 6 Zhongnan Road, Chang'an Town, Dongguan City, Guangdong, China.

Made in China

A. 22, 04, 2024

CE FC Recycle