

## X6 MARAUDER

### Operator's Manual

#### LED Flashlight

#### Product description

The X6 Marauder is Olight's first portable spotlight with a remote battery pack. Using 6 Cree XM-L LEDs and a max output of 5000 lumens, the output, beam and range are as good as the light of high-end car.

The X6 combines design touches such as an upper handle with integrated switch, coiled connecting wire, waterproof and high-current secure connector, strap, protective rubber strips to help avoid the user touching the high temperature cooling fins, standard camera tripod mount, battery indicator, wide belt clip and high-capacity rechargeable battery, etc. The built-in high efficiency synchronous step-down constant current driver circuit to avoid overheating and optional operation mode make the X6 a light with excellent reliability and expandability. It is the perfect illumination tool for hunters, outdoor, search, rescue and flashlight fans.

#### Included Items



Strap x 1



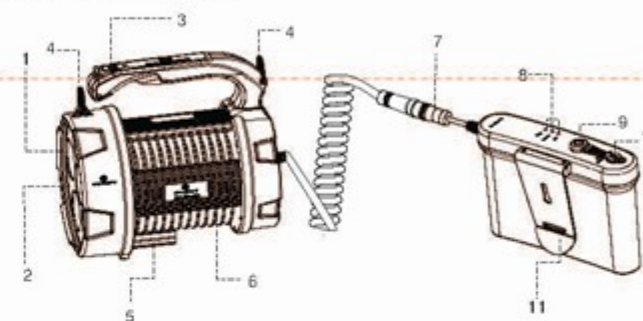
AC Charger x 1



Power Cord for AC Charger x 1

X6 spotlight x 1  
X6 Battery Pack x 1  
Manual (This manual)  
Warranty Card

#### Parts of the Flashlight



- 1 LED
- 2 Lens
- 3 Switch
- 4 Lanyard Rings
- 5 Tripod Mount Nut
- 6 Fins
- 7 Lockable Water Resistant Connector
- 8 Power Indicators
- 9 Power
- 10 Charge Port, Soft-cover
- 11 Clip

#### Operation Instruction

1. Connect X6 flashlight with battery pack
2. Press the power button on the battery pack. The battery pack is operational when the indicator lights are illuminated.

#### 3.X6 built-in 2 operate modes: Portable Mode and Terminal Control Mode.

##### Portable Mode (factor default) :

Power on or off when the switch button on the handle is pressed.

Pressing and holding the control button will change the output brightness among the three available outputs. Releasing the button will set the output.

A fast double press on the button will activate strobe.

##### Terminal Control Mode

When X6 flashlight is supplied by the battery pack or an external power source, the light immediately turns on, light will turn off when disconnected from the battery pack or external power

source. Click the switch on battery pack to change the the brightness levels between low---turn off---high----turn off---low;

In Terminal Control Mode, the mode switch on the handle becomes inoperable for regular operation.

##### Conversion between Portable model and Terminal control mode:

At portable model ,press the mode switch of handle ,after three "low-mid-high" brightness level cycle ,stay at the high release the button then go into Terminal Control Mode. At the End control model,press and hold the mode switch of handle ,the output shut-off automatically after three seconds ,release the button then go into the Portable Mode.

#### 4. Charge :

When Low indicator(red) in the battery pack turns on, it means the remain energy of battery are not enough and need be charged.

Connect the charge to wall power socket, then open the rubber plug above DC socket of battery pack and insert DC plug into the socket, the charge start right now. An indicator in charger panel indicates the charge status, red stands for charge is in process, yellow stands for charge is completed or the charger breaks from wall power socket.

#### ⚠ Attention

- (1) .When connecting the spotlight with the battery pack, make sure the male connector aligns properly with the female connector, push them together, and tightly turn the screw.
- (2) .The curved wire has a maximum recommended stretched length of 1 meter. Stretching past 1 meter will overstretch the coiled wire and possibly damage it.
- (3) .In different working conditions, the power indicator will be identical according to different output. The green indicator shows high power, yellow indicator shows that battery voltage is in normal working voltage, and the red indicator show low power (need to recharge).
- (4) .After using the light on high for 10 minutes ,the output will decrease by 60% in order to reduce output and avoid overheating.
- (5) .There is different operation between Portable mode and Terminal Control mode.
- (6) .When charging, whether the battery is full or not should be confirmed by the indicator of charger. The indicator on the battery pack is just an estimate of the charge.

#### Flashlight

|   |   |
|---|---|
| Material  | Aluminum alloy 6N01-T6 with Type III hard anodization and ABS with carbon fiber   |
| Dimension   | D120mm x L165mm   |
| Weight  | 1065g   |
| Color   | Black   |
| Reflector   | 6 orange peel aluminum alloy reflectors   |
| Lens  | Tough ultra-clear with anti-reflective coating mineral glass  |
| Mode Switch   | Contact button switch in handle   |
| LED   | 6 Cree XM-L LEDs  |
| Operate Voltage                                     | DC 9.0~15V  |
| Output / Runtimes                                   | 5000 lumens /1h15min, 1200 lumens/4h30min; 150lumens /30h   |
| Speical Output                                      | Strobe 10HZ   |
| Peak beam intensity                                 | 102400 cd   |
| Beam distance                                       | 640 meters  |
| Water resistant                                     | IPX6  |
| Wire and interface                                  | Flexible AWG 18 coiled wire, with lockable and water resistant interface  |
| Heat Dissipation and ATM(Active Thermal Management) | Large fins with over 140,000 square millimeter area exposed to transfer heat to air.Built-in thermistor real time detect inner temperature, when inner temperature reach 85 °C and MCU will take response by smoothly decaying output brightness to avoid the damage caused by overheat |
| Heat Protection                                     | 3 rubber blocks separate human body away from hot parts   |
| Design for strap                                    | Two rings allow for easy attachment and detachment of the strap   |
| Tripod Mount  | Standard 1/4-20 inch nut located on the bottom of the body that fits most tripods   |

#### Battery Pack

|                                   |   |
|-----------------------------------|---|
| Material                          | ABS   |
| Dimension                         | L144mm, TH45.5mm, H103mm  |
| Weight                            | 485g  |
| Color                             | Black   |
| Belt clip                         | Wide metal clip   |
| Battery Rated Output and Capacity | 11.1VDC, 5200mAh Rechargeable Lithium Battery   |
| Charging Time                     | 4 hours at most by standard charger   |
| Power Indicators                  | Low: red light on and should charge immediately<br>Normal: yellow light on<br>High: green light on  |
| Power Switch                      | Lockable mechanical button. When the switch is close, the power indicator turns on and the battery pack supplies power to the flashlight. When the switch is open, the power indicator turns off and the pack stops supplying power |
| Interface                         | Charging input port: 5.5 X 2.5, DC socket (connected to charger)<br>Output port: lockable and water resistant interface   |
| Impact Resistance                 | 1 meter   |
| Water Resistance                  | IPX6  |

## 产品简介

X6 Marauder是OLIGHT 第一款手提式强光照明工具。使用6粒CREE XM-L LED输出高达5000流明，在亮度及射程上足以媲美高档车灯照。

产品熔合上提式手柄、手柄控制开关、类弹簧连接线、带锁大电流防水连接器、背带、高温防护胶、标准相机支架连接螺母、电量指示、宽皮带夹、大容量可充电电池等人性化设计，内置高效率同步降压恒流驱动电路、过热保护以及可操作模式，使产品具优良的可靠性及可扩展性，是车载、户外、搜索、救援及爱好者理想的照明工具。

## 随机配件



背带 x 1



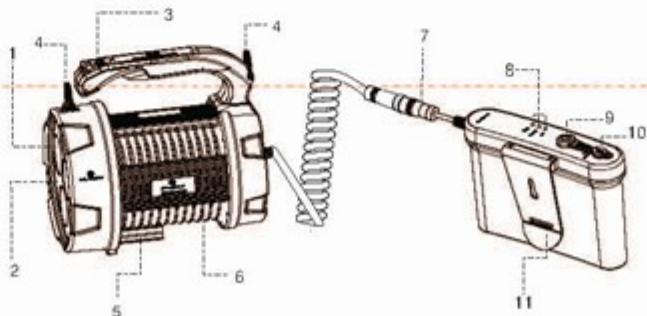
AC充电器 x 1



充电器电源线 x 1

X6主机 x 1  
X6电池包 x 1  
说明书(本说明书)  
保修卡

## 产品部件



- 1 发光二极管
- 2 透镜
- 3 控制按键
- 4 背带环
- 5 固定装置
- 6 散热鳍片
- 7 带锁防水接口
- 8 电源/电量指示灯
- 9 电源按键
- 10 充电口及软塞
- 11 皮带夹

## 操作说明

1. 使用前，先将X6主机与电池包连接；
2. 按下电池包中电源按键，电量指示灯亮表示电源已接通；
3. X6内置两种操作模式：便携模式与末端控制模式。详见下：  
便携模式（出厂默认）：

单次按手柄控制按键，开启或关闭输出；

按住手柄控制按键，改变输出亮度，共个3个亮度级，选中其中之一后释放按键；

快速双按手柄控制按键，暴闪；

末端控制模式：

接通电源即输出，默认为低亮度，关闭电源时关闭输出；

双按电池包中的电源按键（关闭电源后重新接通），输出在高亮与低亮之间转换；

末端控制模式下，主机手柄控制开关失效（除了指定的操作）；

便携模式-末端控制模式转换：

便携模式下，开启输出后按住手柄控制按键，输出经历三个“低-中-高”循环后停留在高亮度，释放

按键即进入末端控制模式。在末端控制模式下，按住手柄控制开关不放，约3秒后输出自动关闭，

释放按键即进入便携模式。

4. 充电：

连接充电器到市电供电线路，揭开电池包中充电接口软塞，将充电器DC插头插入电池包充电接口，充电开始；充电器上的指示灯红色表示正在充电，绿色表示满充。当充电器未连接到电池包时，指示灯也会显示绿色。

### 注意

- (1). 连接X6主机与电池包时，使接口公头凹口对准母头凸位，稍用力使之连接，最后旋紧螺母。
- (2). X6主体与电池包通过卷曲线连接，正常最大伸展的距离约1米，使用时勿过度拉伸，过度拉伸会导致卷曲线不正常复位；
- (3). X6处于工作状态时，电量指示灯在不同的输出亮度情况下可能会不相同，绿灯表示高电量，黄灯表示电池电压处在X6正常工作电压范围，红灯表示低电量已不足需要充电。
- (4). X6在连续工作一段时间后，亮度略下降，这是因为过热保护电路启动，降低输出抑制产品过热。
- (5). 便携模式与末端控制模式在操作上有差异。
- (6). 充电时，电池是否满充应以充电器中指示灯为准，电池包中指示灯只作为粗略电量指示。

## 主机

### 特征

### 规格

|             |  |
|-------------|--|
| 材料          | 6N01-T6 合金铝材，表面三级硬质氧化<br>ABS + 碳纤维   |
| 体积          | 直径 120毫米 长度 165毫米  |
| 重量          | 1065克  |
| 颜色          | 黑色   |
| 反光杯         | 6个铝合金机加工橘皮反光杯  |
| 控制开关        | 轻触开关，位于手柄  |
| 透镜          | 钢化加硬玻璃，双面镀增透膜，单面防水膜  |
| 发光二极管       | 6 Cree XM-L LEDs   |
| 工作电压        | <b>直流 9.0~15伏</b>  |
| 输出亮度 / 运行时间 | 5000流明/1小时15分钟，1200流明/4小时30分钟，150流明 /30小时                                      |
| 特殊模式        | 暴闪，10赫兹  |
| 中心光强度       | 102400 坎德拉   |
| 最大射程        | 640米   |
| 抗冲击         | 1米   |
| 防水          | IPX6   |
| 连接线与接口      | 可拉伸卷曲线，AWG18，带锁防水接口  |
| 散热与主动热管理    | 散热鳍片表面积达到约140000平方毫米，充分散热。<br>内置温度传感器实时检测产品内部温度，当温度达到85℃，MCU控制输出平滑衰减，避免因过热导致损坏 |
| 高温防护        | 3块橡胶条隔离身体及手部与高温部分  |
| 背带机构        | 前后各一背带挂孔，方便背带装卸  |
| 固定装置        | 位于主体下方，标准1/4-20英寸（英制）螺母，支持与相机支架连接  |

## 电池包

|           |  |
|-----------|--|
| 主体材料      | ABS  |
| 体积        | 长 144毫米，厚 45.5毫米，高103毫米                                      |
| 重量        | 485克   |
| 颜色        | 黑色   |
| 皮带夹       | 金属皮带夹  |
| 电池额定输出与容量 | 额定输出电压 11.1伏，5200毫安时可充电电                                     |
| 充电时间      | 最大约 4小时（使用标配充电器）   |
| 电量指示      | 低电量：红色指示灯，请及时充电。<br>正常电量水平：黄色指示灯，正常工作电压电量状态<br>高电量：绿色指示灯，高电量 |
| 电源开关      | 带锁机械开关，闭合时电量指示灯亮，对主机供电；<br>断开时，电量指示灯熄，关闭输出                   |
| 接口        | 充电接口，输入：5.5 x 2.5 DC插座（连接充电器）<br>输出接口：带锁防水接口                 |
| 抗冲击       | 1米   |
| 防水        | IPX6   |



WE MAKE A DIFFERENCE

Olight Technology Co., Limited

www.olightworld.com

Tel: +86-755-3351 8606

Fax: +86-755-3380 0207

Email: service@olightworld.com