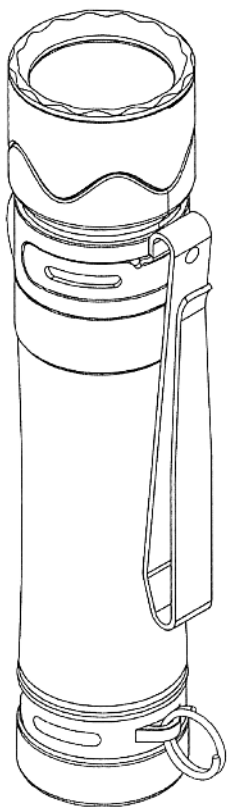


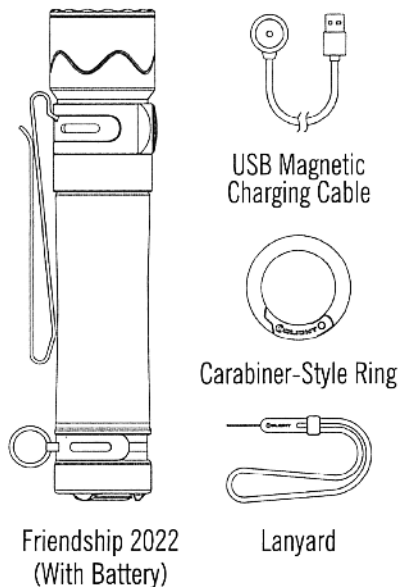
OLIGHT USER MANUAL



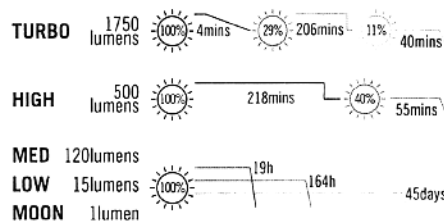
Friendship
2022

Please read this manual carefully before use and keep it for future reference!

IN THE BOX



SPECIFICATIONS

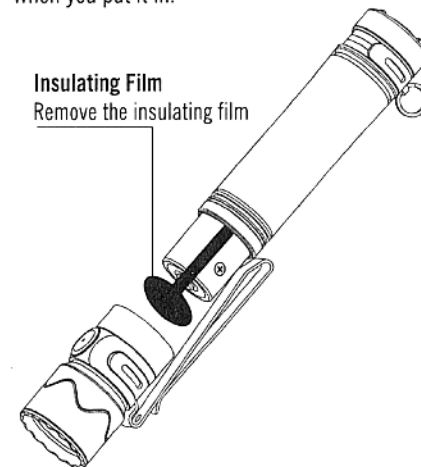


	TURBO	HIGH	MED	LOW	MOON
Beam Distance	220m	117m	57m	19m	—
Beam Diameter	1.5m	12,300cd			
Beam Spread					
Dimensions	(L)4.65*(D)0.98in (L)118*(D)25mm				
Weight					

* All above specifications are test results based on ANSI/NEMA FL1-2009 Standard. The tests are performed using the battery included in the flashlight.

BATTERY INSTALLATION

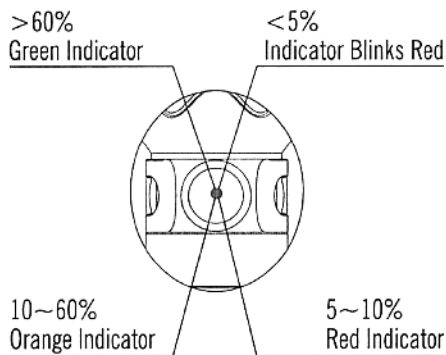
Before first use, please unscrew the body and remove the insulating film. If the battery needs to be replaced, make sure that the positive end of the new battery faces the flashlight head when you put it in.



AVAILABLE BATTERIES

- 1 x customized 3500mAh 18650 rechargeable lithium battery

BATTERY LEVEL INDICATOR

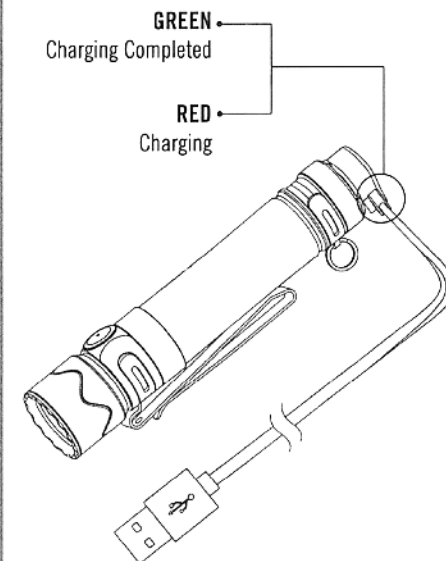


NOTE: If using moonlight mode, the battery indicator will only display when the battery level is below 5%.

USB MAGNETIC CHARGING CABLE -- MCC3

Parameter	Specification
Charging cable	USB type A - magnetic charging connector, length: 0.5m
Input	USB A - Type DC 5V 2A
Charging pattern	CC&CV
Maximum charging current	1.5A
Voltage of fully charged battery	4.2V ± 0.05V
Time to fully charge	3.5 hours (For reference only. When the USB power source is insufficient to provide 5V 1.5A power capacity, the charging time will be longer)
Charge indication	Red: charging Green: full (over 95%) or disconnected with flashlight

CHARGING

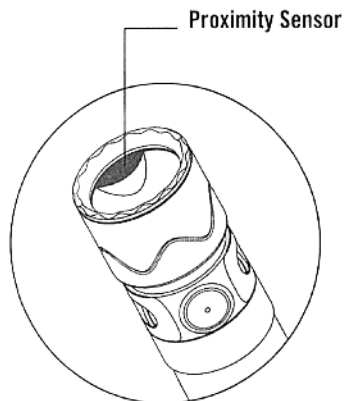


- * Before first use please fully charge the product.
- * Connect the USB end of the magnetic charging cable to an external USB power source, then attach the other end of the cable to the charging port of the light (best charging efficiency with a 7.5W (5V 1.5A) USB power source). The red indicator means charging, while the green indicator means charging completed (battery level > 95%).

* Only charge with standard MCC3, not compatible with other MCC.

PROXIMITY PROTECTION FUNCTION

When the front lens proximity sensor detects an obstruction nearby, the brightness will automatically reduce. While in this state, the side switch can only turn the light off. The light will turn off directly if the blockage continues for more than 60 seconds.



ATTENTION

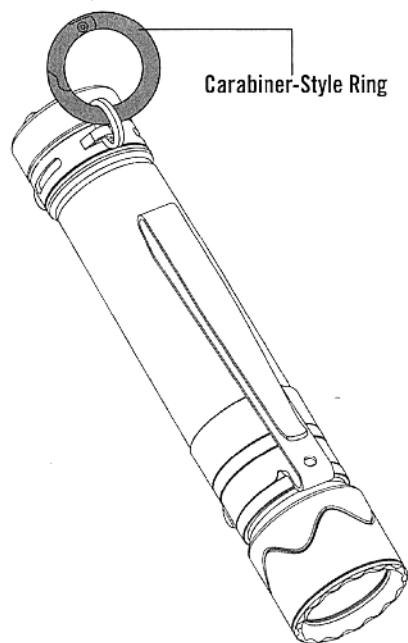
- 1: Please keep the surface of the lens clean. Stains or water mist will affect the performance of the built-in sensor located in the black area, resulting in the failure of high and above modes, please clean it in time.
- 2: Pay attention to protect the lens from scratches. Scratches on the surface of the lens will reduce the luminous flux. In severe cases, it will affect the internal sensor performance, resulting in the failure of high and above modes.



DANGER

- DO NOT shine the light directly into human eyes. This may cause temporary blindness, or permanent damage to the eyes.

- The max load of the Carabiner-Style Ring is 5kg, and please DO NOT use it for climbing.

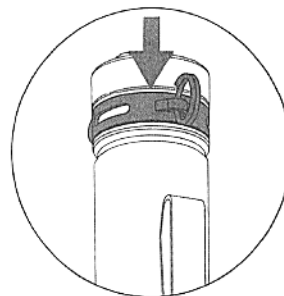


WARNING

- DO NOT activate turbo mode repeatedly under high temperature to prevent the flashlight body from overheating and hurting the user's hand.
- The tail switch may not work while immersed in sea water or other conductive media. Please try to keep it clean and dry.
- DO NOT use non-protected rechargeable batteries.
- DO NOT use the battery if the wrapper is broken, or in any other compromised state.
- DO NOT take the battery out of the flashlight for charging.
- Take good care of the battery; if the battery needs to be replaced, please keep the removed battery in a safe place. DO NOT mix it with the conductive metals.
- If the product is left unused or carried and transported, please lock the button to avoid accidentally activating the flashlight.

NOTICE

- When the flashlight is turned off, moonlight, low, medium, or high mode will be memorized and become the default mode when the light is turned on again (high mode will only be memorized for 10 minutes. After that, the memorized mode will revert to the medium setting).
- The turbo mode will slowly step down to high mode in 4 minutes in normal temperature.
- DO NOT short-circuit the tail switch cap with the surrounding ring. A short circuit in this case will result in a weak electric discharge between them and may lead to a complete battery drain if it is in this state for too long.
- The magnetic tail is easy to attract iron debris. Please keep the tail switch cap and the ring surrounding it clean.
- **NOTICE:** The lanyard clip can only be installed in the rear clip slot as shown below.



EXCLUSION CLAUSE

Olight is not liable for damages or injuries sustained resulting from the usage of the product inconsistent with the warnings in the manual, including but not limited to using the product inconsistent with the recommended lockout mode.

CONTENTS

(EN) English	01
(CN) 简体中文	02
(FI) Finnish	03
(NO) Norwegian	04
(SV) Swedish	05
(NL) Nederlands	07
(PL) Polska	08
(DE) Deutsch	10
(HU) Magyarország	12
(RU) Русский	13
(ES) Español	15
(RO) Romanesc	17
(UA) Ukrainian	18
(JP) 日本語	20
(KR) 한국어	21
(TH) ไทย	23
(FR) Français	24
(BG) български	25
(IT) Italia	27
(SK) Slovenskýjazyk	29

(EN) English

HOW TO OPERATE SIDE SWITCH

ON/OFF: Single click the side switch to turn the light ON/OFF. When the light is turned on again, it will return to the previously memorized mode.

CHANGE BRIGHTNESS LEVEL: When the flashlight is on, press and hold the side switch and it will, starting from the present brightness level, automatically cycle through Low, Medium, and High mode. The mode is selected when the side switch has been released. (Please note: moonlight and turbo are not in the automatic cycle).

MOONLIGHT MODE: When the flashlight is off, press and hold the side switch for over one second to access the moonlight mode. If the memorized mode is moonlight, simply click the switch to access it.

TURBO AND RETURN: fast double click on side switch to enter into Turbo, double click again to return. If memory mode were High or Medium, the output is Medium; if memory mode were Low or Moonlight, the output is memory mode.

STROBE: Quickly triple click the side switch to enter the strobe mode. To quit this mode, single click or press and hold the side switch.

LOCKOUT/UNLOCK: When the flashlight is off, press and hold the side switch (for about 2 seconds) to access the button lockout mode (the flashlight will enter the moonlight mode first and will then switch off to signal the lockout mode). Under the lockout mode, press and hold the side switch for less than one second. The red indicator below the side switch will be on for two seconds to signal that the light is still in lockout mode. To unlock it, keep holding the side switch for over one second until the moonlight mode is on again.

TAIL SWITCH

The flashlight produces different output settings by pressing lightly or hard on the tail switch (please refer to the following program configurations).

TWO DIFFERENT PROGRAM CONFIGURATIONS

CONFIGURATION 1 (FACTORY DEFAULT SETTING) :
Half press for Medium, hard press for Turbo;

Single press the tail switch (press and release quickly) to turn the flashlight on or off;

Press and hold the tail switch for momentary on. Release to turn off.

CONFIGURATION 2: Half press for Turbo, hard press for Strobe, release switch to turn the flashlight off.

SWITCH BETWEEN DIFFERENT PROGRAM CONFIGURATIONS

Switch between configuration 1 and configuration 2 by pressing hard then holding tail switch and single press on side switch at the same time; when you release tail switch, the Configuration will be selected.

(CN) 简体中文

操作说明

侧按键

开/关机：单按开、关机。开机时，手电点亮在记忆存储的亮度。

注：模式记忆：通过侧按键设置或进入的月光档，低档，中档，高档在关机时存入记忆体(高档仅记忆10分钟后转为中档)，作为下次侧按键开机默认亮度，爆闪与极亮档不记忆；

改变亮度：开机状态下，长按按键，输出从当前亮度开始，按月光档或极亮档 -> 低档 -> 中档-> 高档-> 低档顺序改变,释放按键时选定亮度。(注意月光档，极亮档不在调光循环序列里)。

开启月光档：关机状态下按住按键1秒以上，月光档开启，如前次关机为月光档，单按按键。

极亮档与返回：快速双按按键进入极亮档，再次双按返回，如记忆档为高档或中档，输出中档。如记忆档为低档或月光档，输出记忆档位。

爆闪：快速连按三次（或以上）进入爆闪，单按或长按按键退出爆闪。

锁键与解锁：关机状态下，按住按键（约2秒）直至见到月光熄灭，手电进入锁键状态。在锁键状态下，长按侧按键1秒以上解锁，输出月光。锁键状态下，侧按键与尾按键在非解锁操作触发时，侧按底部的红色指示灯亮起2秒。

尾按键

轻按或重按尾部按键开关，手电输出不同

WARRANTY

Within 30 days of purchase: Contact the original seller for repair or replacement.

Within 5 years of purchase: Contact Olight for repair or replacement.

Battery warranty: Olight offers a one year warranty for all rechargeable batteries.

MCC magnetic USB charging cable: One year.

For any of the fragile or low-value fittings not covered above, like lanyard and clip, you can contact the post-sale within 30 days of the purchase, if it has any quality drawback or damage under normal use condition. If such drawback or damage occurs after 30 days of the purchase or under abnormal use condition, we will only offer conditional quality assurance as appropriate.

EU-DECLARATION OF CONFORMITY



EU-Declaration of Conformity can be found here:
<https://olightworld.com/ec-declaration>

USA Customer Support
cs@olightstore.com

Global Customer Support
Customer-service@olightworld.com

Visit www.olightworld.com to see our complete product line of portable illumination tools.

OLIGHT

Dongguan Olight E-Commerce Technology Co., Ltd
4th Floor, Building 4, Kegou Industrial Park, No 6
Zhongnan Road, Changan Town, Dongguan City,
Guangdong, China.

Made in China

A. 11, 26, 2021
3.0334.6010.9006

