

ENGLISH

Thank you for purchasing the Olight SR96 intimidator LED flashlight. Please read this manual carefully before using this product.

Olight SR series flashlights rewrite the development process of high-power LED flashlight by frequent innovations. SR96 intimidator is another masterpiece after the launch of SR95S-UT, it pushes the output to 4,800 lumens. Different from the long distance high power LED flashlight in the past, SR96 seeks a superior illumination. CREE new MK-R LED benefit from the CREE revolutionary SC3 platform, a good color temperature consistency and a high output to 200lm/W, Olight SR96 reaches to 4,800lm by utilizing 3pcs MK-R led and separated reflectors.

Product parts (See Figure 1)

Operational instruction (See Figure 2, Figure 3)

Momentary lighting: Under off status, the flashlight will light on when the power switch is pressed, if holding the power switch over 1 second, the flashlight will turn off until the power switch is released.

Turn on/off: power on or off when the switch button is pressed then released within 1 second, every restart, the output is at the brightness level at the moment it is closed.

Switch Modes: while the flashlight is on, press and hold the power switch will enable the output brightness change among the three available outputs. Releasing the button will set the output.

Strobe: a fast double click on the button will activate strobe. Under this mode, press the button and quickly release within 1 second to turn off the flashlight; keep pressing it more than 1 second to back into normal lighting mode;

Lock-out: Under on status, keep pressing the button for 3 circles of "Low-Middle-High" till turn off, and then, the power switch will become temporarily invalid except unlocking operation.

Unlock: quickly triple click the button to unlock the switch. Or you can take off the battery, and reload after 30 seconds.

Charging: Open the rubber plug on the battery pack and connect the charger DC plugs to the battery pack. Red light means charging is going on and green light means charging completed. If the charger has not connected to the battery pack, the indicator also keeps green light. When charge complete, please pull out the DC plug and close the rubber plug to avoid some stuff enter into the socket, as well, please pull out the AC power plug from the wall power socket.

Battery Level Indication: Click battery level switch at the tail, 4 indicators show approximate remaining capacity: 4 indicators full light on means high capacity; less indicators on, less power remained; all the indicators off means power shortage (need to recharge immediately).

Note Please don't turn on the flashlight when it is charging. When charge finished, please disconnect the power cord from the wall socket, don't always connect the AC charger to power source, at the same time, disconnect the connection between battery pack and the charger.

Output VS Runtime (See Figure 4)

Specifications

Material	Aluminum body with anti-scratching type III Hard Anodization
Dimension	277mm long, head diameter 90mm, body tube diameter 48.4mm
Weight	1,216 g
Color	Black
LED	3 x CREE MK-R LED
Battery	7,800mAh 7.4V rechargeable lithium battery
Charger	Input AC100~220V 50~60HZ, CC 3A/8.4V
Reflector	Orange peel reflector
Lens	Tough ultra-clear tempering glass, with anti-reflective coating
Switch	Side switch
Strap Ring	Two metal strap rings with gold plating, which locate at the ends of the strap
Tube Body Knurling	Anti-slip human engineering knurling
Output And Running Time	4,800 lm/ 50min, 1,500 lm/6h, 450 lm/ 16h
Special Mode	Strobe 10 Hz
Beam Intensity	26,400 cd
Maximum Throw	325 m
Waterproof	IPX6
Impact Resistance	1 m

中文

感谢您购买Olight LED手电筒, 在使用前请仔细阅读说明书, 本说明书适用于SR96 intimidator。

Olight SR系列手电以不断创新步伐改写大功率LED手电的发展进程。SR96 intimidator是继SR95S UT千米射程突破后的又一力作, 它将手电最大输出光通量推高至4800流明;不同于以往远射型大功率LED手电, SR96 intimidator追求极致的光通量输出。得益于CREE革命性的SC3技术平台下的新产品MK-R LED, 它拥有一致性的良好色温和每瓦输出高达200流明的能力。Olight SR96 intimidator使用了3颗MK-R LED以及独立光杯, 光通量输出达到了4800流明。

产品部件 (见Figure 1)

操作说明 (见Figure 2, Figure 3)

瞬时点亮: 关机状态下, 按下开关按键并保持1秒或以上, 按下时开, 释放时关。

开、关机: 按下开关按键并在1秒内释放。每次开机, 手电输出在前次关机时的亮度级。

改变模式: 开机状态下, 按住开关按键并保持, 手电输出亮度在“低-中-高”之间循环, 释放时保持选择的亮度。

暴闪: 快速连按开关按键二次。在暴闪状态下, 按下开关, 1秒内释放, 输出关闭; 如超出1秒, 退出暴闪, 返回正常亮度模式。

锁按键: 开机状态下, 按下开关按键并保持, 输出经历“低-中-高”循环三次后自动关闭, 手电进入锁定状态; 进入锁定状态后, 按键临时失效(除了指定的解锁操作)。

解锁: 在锁定状态, 需快速连击按键三次解锁并开机。取下电池约30秒, 再装入电池也会自动解锁。

充电: 连接充电器到电源插板或墙壁插孔, 揭开手电尾盖充电接口软塞, 将充电器DC插头插入。充电状态指示灯位于充电器。指示灯显示状态: 红色 -- 充电进行中; 绿色 -- 充电完成或未连接手电。充电完成后, 请拔出DC插头, 随手塞紧充电接口软塞, 防止有异物进入手电; 并将充电器从电源插板或墙壁插孔取下。

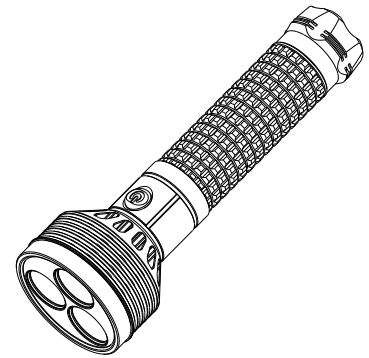
显示电量: 轻按尾部的电量指示开关。4个指示灯指示电量大约剩余电量: 四个灯全亮表示高电量, 亮灯数量越少, 表示电池剩余越低; 如所有指示灯均不亮, 表示电池能量将耗尽, 需要给予充电。

⚠ 注意事项 充电时, 请勿开启手电。充电完成后, 请及时断开电源, 勿将充电器长时间连接到市电, 同时断开充电器与电池连接。

运行曲线 (见Figure 4)

规格参数

材料	铝合金, 表面三级硬质氧化
体积	长277毫米 头部直径90毫米 筒身直径48.4毫米
重量	1216克
颜色	黑色
发光二极管	3 x CREE MK-R LED
电池	7800mAh 7.4V 可充电电
充电器	交流100~220V 50~60HZ输入, 恒流恒压充电, 3A/8.4V
反光杯	橘皮杯
透镜	钢化加硬玻璃, 双面镀增透膜
开关	头部侧轻触开关
背带环	两个金属环, 分别位于头部与尾部, 金黄色电镀
筒身滚花	人体工程学防滑滚花
输出亮度级	4800流明/ 50分钟, 1500流明/6小时, 及动行时间 450流明/16 小时
特殊模式	暴闪, 10赫兹
中心光强度	26400坎德拉
最大射程	325米
防水	IPX6
抗冲击	1米



LED FLASHLIGHT
Model: SR96 INTIMIDATOR
CREE MK-R LED

EN User's manual
中文 用户手册

OLIGHT[®]
We Make A Difference

OLIGHT[®]
We Make A Difference

Olight Technology Co., Limited
Address: 2/F, Building A, B3 Block,
Fuhai Industrial Park, Fuyong, Bao'an
District, Shenzhen, China 518103
Tel: +86-755-81452608/81452618
Fax: +86-755-81452508
E-mail: service@olightworld.com
www.olightworld.com

深圳市傲雷移动照明设备有限公司
地址: 深圳市宝安区福永镇福海工业区
B3区A栋二楼
电话: 0755-81452608/81452618
传真: 0755-81452508
E-mail: service@olightworld.com
www.olightworld.com

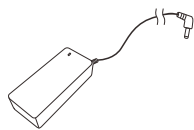


Made In China

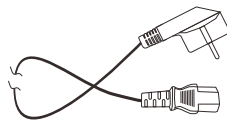
Included Items 随机配件



Strap/背带 x 1



AC Charger 交流充电器 x 1



Power Cord for AC Charger
/交流充电器电源线 x 1



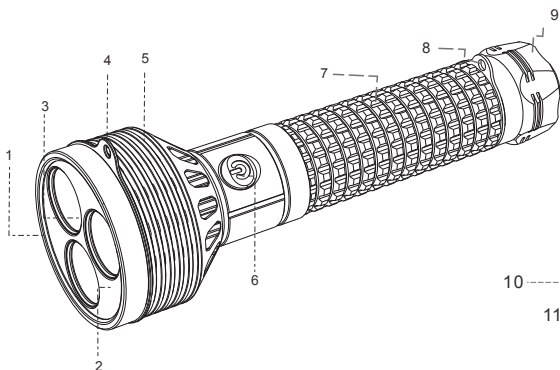
Spare O-rings
/备用防水圈 x 1 set

SR96 LED Flashlight / 手电 x 1

Manual (This manual) / 说明书
(本说明书)

Warranty Card / 保修卡

Figure1 Product parts/产品部件



- 1.Head cover/头盖
- 2.Aluminum panel/铝合金面板
- 3.LED/发光二极管
4. Front strap ring/前背带环
5. Head/头部
- 6.Power switch/电源按键
- 7.Battery pack/电池包
- 8.Rear strap ring/后背带环
9. Tail-cap/尾盖
- 10.Battery level indicators /电量指示灯
- 11.Charging Socket and Weather-resistant plug/充电口及软塞
- 12.Power indicator switch /电量指示开关

Figure2 User interface / 用户操作界面

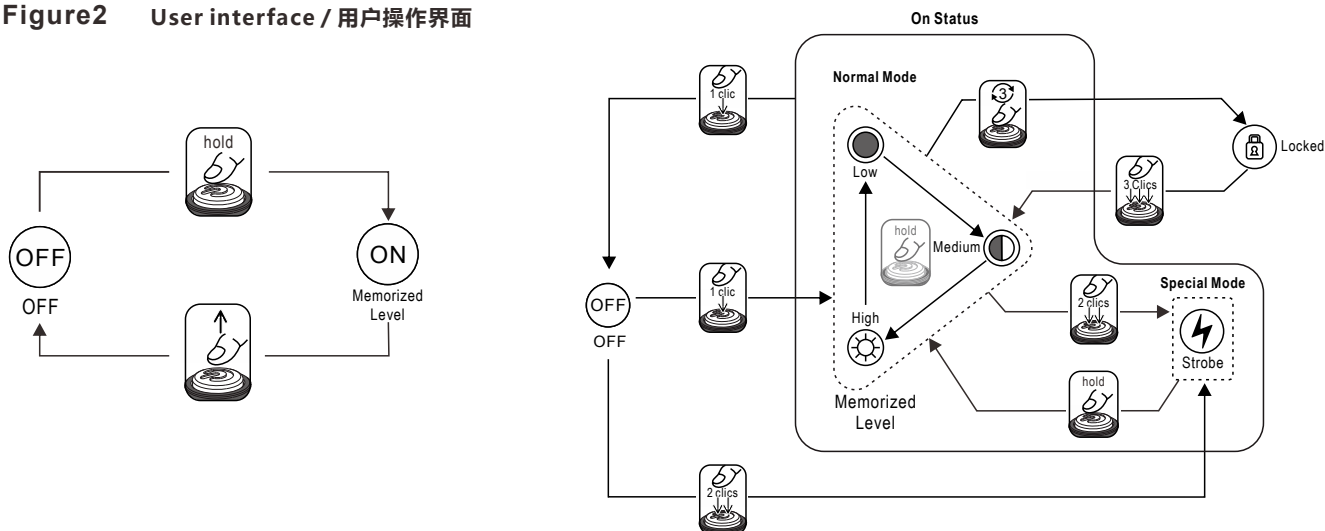
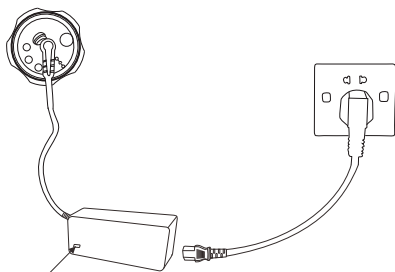


Figure3 Charger connect / 充电器连接



Indicator lamp / 指示灯

Red light means charging is going on and green light means charging completed. If the charger has not connected to the battery pack, the indicator also keeps green light. (红色 -- 充电进行中; 绿色 -- 充电完成或未连接手电。)

Figure4 Output VS Runtime/运行曲线

