



SR95 INTIMIDATOR

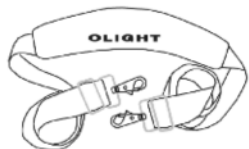
Operator's Manual

LED Flashlight

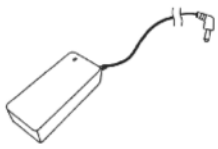
Product description

Two years past, Olight now brought on another new generation of super bright SR95 Intimidator with long throw again. Compared with its brotherhood SR90, SR95 Intimidator takes SST-90 LED as its light source, which is the latest science and technology achievements of LUMINUS; SR95 has also optimized its structure design with more powerful heat dissipation, light weight, and upgraded lithium battery capacity to improve the integrate function and usability.

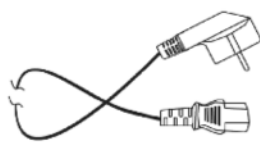
Included Items



Strap x 1



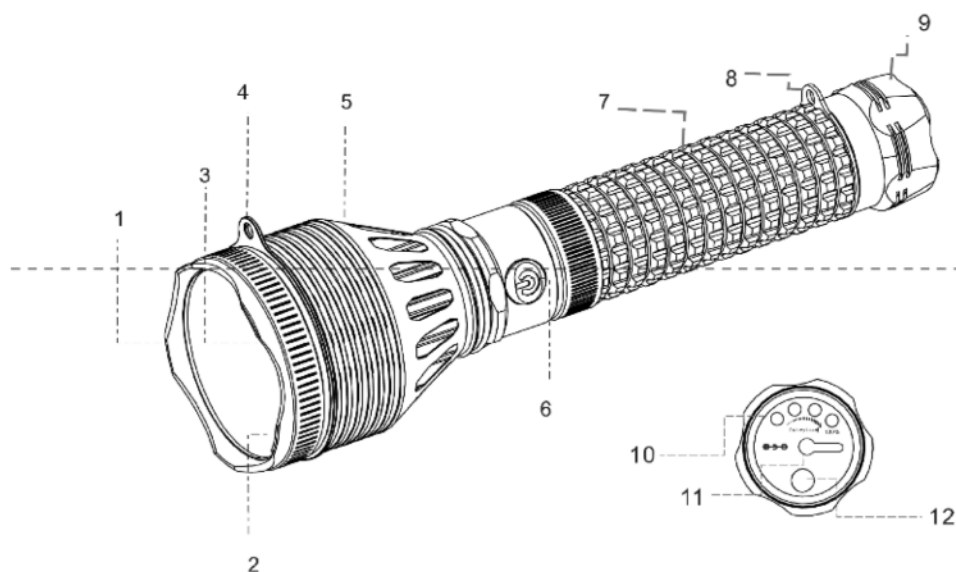
AC Charger x 1



Power Cord
for AC Charger x 1

SR95 x 1
Manual (This manual)
Warranty Card

Parts of the Flashlight



- 1.Striking bezel
- 2.Lens
- 3.LED
4. Front strap ring
5. Head
- 6.Power switch
- 7.Battery pack
- 8.Rear strap ring
9. Tail-cap
- 10.Power indicator switch
- 11.Charging Socket and Weather-resistant plug
- 12.Power indicators

Operation Instruction

Momentary lighting up: keep pressing the button more than 1 second, the flashlight will light up, but turn off when stop pressing.

Turn on/off: power on or off when the switch button is pressed or released within 1 second, which will remember the last output brightness when you turn off.

Conversion between different modes: Pressing and holding the power switch will change the output brightness among the three available outputs. Releasing the button will set the output.

Strobe: a fast double click on the button will activate strobe. Under this mode, press the button and quickly release within 1 second to turn off the flashlight; keep pressing it more than 1 second to back into normal lighting mode;


Lock-out function: The flashlight can be locked out when power on, if you keep pressing the button for 3 circles of "Low-Middle-High" till turn off,. And then, the power switch will become temporarily invalid.

Unlock the switch: quickly triple click the button to unlock the switch. Or you can take off the battery, and reload after 30 seconds to unlock.

Charging : Open the rubber plug on the battery pack and connect the charger DC plugs to the battery pack. The red indicator light shows that the battery pack is charging and the green light shows full. When the charger is not properly connected with battery pack, the indicator also show green colour.

Please pull out the DC plug and close the rubber plug to avoid damage, after charge finished; and make sure the charger is cutting-off as well.

Power Indication: Press the power indicator button at the tail, the green indicators will show the power status. Full 4 green indicators shows high power; the less green indicators on, the lower power it is; all the indicators off means power shortage (need to recharge immediately)

 **Note:** Please disconnect the power after charge finished, and remember to take off the charger from the LED flashlight.

Characteristics	Specification
Material	Aluminum body with anti-scratching type iii hard anodization
Dimension	325mm long, head diameter 90mm, body tube diameter 48.4 mm
Weight	1230. 5 g
Color	Black
LED	Luminus SST-90 LED
Battery	7800mAH 7. 4v rechargeable lithium battery
Charger	AC100~220V 50~60Hz (input) 3A/8.4V
Reflector	Smooth reflector
Lens	Tough ultra-clear tempering glass, with anti-reflective coating
Striking Bezel	Aluminum body with anti-scratching type iii hard anodization, Available to both head and tail part
Switch	Side switch
O Ring	Two metal o rings with gold plating, which locate at the ends of the strap.
Tube Body Knurling	Anti-slip human engineering knurling.
Output And Running Time	2000 lm / 1h50min; 600lm/9hrs30min; 120lm/46 hrs
Special Mode	Strobe 10 Hz
Beam IntensityIn Center	129600 cd
Maximum Throw	720 m
Waterproof	IPX6
Impact Resistance	1. 5 m



WE MAKE A DIFFERENCE

Olight Technology Co., Limited

www.olightworld.com

Tel: +86-755-3351 8606

Fax: +86-755-3380 0207

Email: service@olightworld.com

www.DrMemory.com/Olight

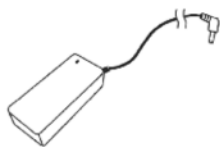
产品简介

时隔两年，OLIGHT再次推出新一代的远射型强光手电王者SR90 Intimidator的兄弟产品SR95 Intimidator。它使用LUMINUS最新科技成果SST-90 LED作为发光源，有效提高亮度输出。同时优化结构设计，增强产品散热性能，减轻产品重量，以及升级电锂包容量，改善按键手感，提升产品整体性能和易用性。

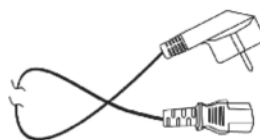
随机配件



背带 x 1



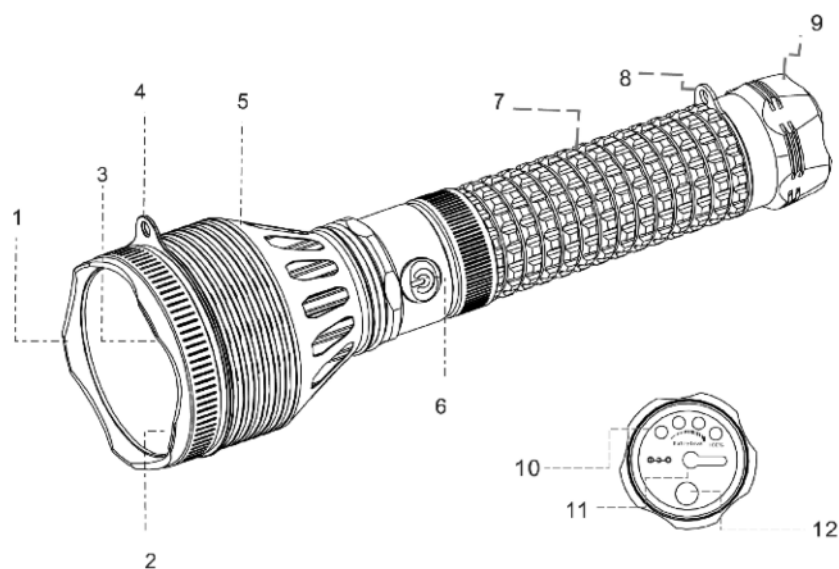
AC充电器 x 1



充电器电源线 x 1

SR95主机 x 1
说明书(本说明书)
保修卡

产品部件



1. 攻击头
2. 透镜
3. 发光二极管
4. 前背带环
5. 头部
6. 电源按键
7. 电池包
8. 后背带环
9. 尾盖
10. 电源/电量指示灯
11. 充电口及软塞
12. 电量指示开关

操作说明

瞬时点亮：关机状态下，按下开关按键并保持1秒或以上，按下时开，释放时关。

开、关机：按下开关按键并在1秒内释放。每次开机，手电输出在前次关机时的亮度级。

改变模式：开机状态下，按住开关键并保持，手电输出亮度在“低-中-高”之间循环，释放时保持选择的亮度。

暴 闪：快速连按开关按键二次(初始状态为关需按三次)。在暴闪状态下，按下开关，1秒内释放，输出关闭；如超出1秒，退出暴闪，返回常亮度模式。

锁 按 键：开机状态下，按下开关键并保持，输出经历“低-中-高”循环三次后自动关闭，手电进入锁定状态；进入锁定状态后，按键临时失效（除了指定的解锁操作）。

解 锁：在锁定状态，需快速连击按键三次解锁并开机。取下电池约30秒，再装入电池也会自动解锁。

充 电：连接充电器到电源插板或墙壁插孔，揭开手电尾盖充电接口软塞，将充电器DC插头插入进行充电。

充电状态指示灯位于充电器。指示灯显示状态：红色 -- 充电进行中；绿色 -- 充电完成或未连接手电。充电完成后，请拔出DC插头，随手塞紧充电接口软塞，防止有异物进入手电；并将充电器从电源插板或墙壁插孔取下。

显示电量：轻按尾部的电量指示开关。4个绿色的指示灯指示电池大约剩余电量。四个灯全亮表示高电量，亮灯数量越少，表示电池剩余越低；如所有指示灯均不亮，表示电池能量将耗尽，需要给予充电。

⚠ 注意：充电完成后，请及时断开电源，勿将充电器长时间连接到电源。不充电时，请勿将手电长时间连接到充电器。

特 征	规 格
材料	铝合金，表面三级硬质氧化
体 积	长325毫米 头部直径90毫米 筒身直径48.4毫米
重 量	1230.5克
颜 色	黑色
发光二极管	Luminus SST-90 LED
电池	7800mAh 7.4V 可充锂电
充电器	交流100~220V 50~60Hz输入，恒流恒压充电，3A/8.4V
反光杯	光面杯
透 镜	钢化加硬玻璃，双面镀增透膜，单面防水膜
攻击头	铝合金，表面三级硬质氧化，头尾均具备
控制开关	头部轻触开关
背带环	两个金属环，分别位于头部与尾部，金黄色电镀
筒身滚花	人体工程学防滑滚花
输出亮度 / 运行时间	2000流明 / 1小时50分钟；600流明 / 9小时30分钟；120流明/46小时
特殊模式	暴闪，10赫兹
中心光强度	129600 坎德拉
最大射程	720 米
防 水	IPX6
抗冲击	1.5米



Olight Products Warranty Card

Olight™ warrants its products to be free from defects in materials and workmanship. Within 30 days of receipt, any defective lights will be offered repair or replacement by the retailer where the product was purchased. Olight™ will repair or replace, at its option and without charge, any product or part which is found to be defective under normal use and service within 24 months counting from the date of purchasing with proof of purchase. Such repair or replacement shall be the purchaser's sole and exclusive remedy under this warranty. This warranty does not cover normal maintenance and service and does not apply to any products or parts which have been subject to modification, misuse, negligence, accident, improper maintenance or repair by anyone other than Olight™.

As to those exceed 24 months of the purchase date, Olight will still provide with warranty service. Labor is free but cost of parts will be charged. This warranty covers parts and labor only as specified above. Freight and transit costs are the responsibility of the user/owner, not the factory or dealer.

Battery Warranty:

Olight offers a 1 year warranty for all rechargeable batteries.

There is no other express warranty. Olight hereby disclaims any and all implied warranties, including but not limited to fitness for a particular purpose.

Olight shall not be liable for incidental, consequential, or special damages arising out of or connection with product use or performance.

Name of distributor: _____

Name of customer: _____

Model: _____ S/N: _____

Tel No: _____ E-mail: _____

Address: _____

Cause: (By user) _____

Solution: (By distributor) _____

On-Sale Date: _____



Olight 保修条款:

尊敬的顾客:

您好!

首先感谢您选用Olight品牌手电筒, 谨致谢意!

为了便于我们给您提供更满意的服务, 同时也更好的保障您的权益, 请您认真阅读此细则并妥善保存您的保修卡。

细则说明:

1、本细则适用于Olight品牌的手电及配件产品。凡通过正规渠道购买的Olight产品, 均享受本公司提供的免费保修或有限保修售后服务。

2、任何产品或配件经过改装、不当使用或由非Olight随产品提供的电池漏液导致产品无法使用, Olight将不承担其保修责任。

保修承诺:

1、30天保换期: Olight手电产品自售出之日起30天内(以购买发票或者其它有效购买单据上的日期为准), 在正常使用情况下, 出现产品质量问题, 客户可选择更换新品及部件, 或维修服务;

2、2年免费保修期: Olight手电产品自售出之日起2年内(以购买发票或者其它有效购买单据上的日期为准), 用户在正常使用情况下, 出现产品质量问题, 则享受免费维修服务;

3、终身有限保修: 在超过2年免费保修时间外, Olight将提供有偿保修, 更换配件及运输费用由用户承担, 不另收取人工费用;

4、电池质保: Olight为随产品提供或单独销售的可充电电池提供1年(以购买发票或者其它有效购买单据上的日期为准)质保;

5、用户保修时凭Olight《质量保证卡》及购买有效单据与经销商联系, 由经销商对消费者提供服务, 我公司将对经销商提供服务支持;

如您在使用中有任何问题, 请随时联系我们:

电话: 0755-33518606/8607

售后服务邮箱: service@olightworld.com

再次感谢您选择Olight的产品和服务!

顾客姓名: _____

经销商名称: _____

产品型号: _____ 流水号: _____

联系电话: _____ 邮箱: _____

通讯地址: _____

故障描述:(用户) _____

解决方案:(经销商) _____

日期: _____