



Operator's Manual

Model Name

SR90 Intimidator



SR90 Intimidator

Specification

- Features Luminus SST-90 LED, 30W, lifetime 60,000 hours.
- **Material:**
Aircraft Grade Aluminum with Black Type III Hard Anodized Finish
- **Output & Runtime:**
Two brightness levels and strobe mode
(1). High Mode: 2200 Lumens / 80 Minutes
(2). Low Mode: 700 Lumens / 9 Hours
(3). Strobe: 10 Hz/160 Minutes
- **Battery pack:** 6 x Li-ion 18650 (7.2v, 6.6A)
- **Dimensions:** Length:336mm (13.23")
Bezel Diameter: 100mm(3.94");
- **Weight:** 1580g(55.5 Oz)
- **Accessories:** Includes one strap, one charger, one operator's manual, one O-ring.
- **Color:** Black

.2.

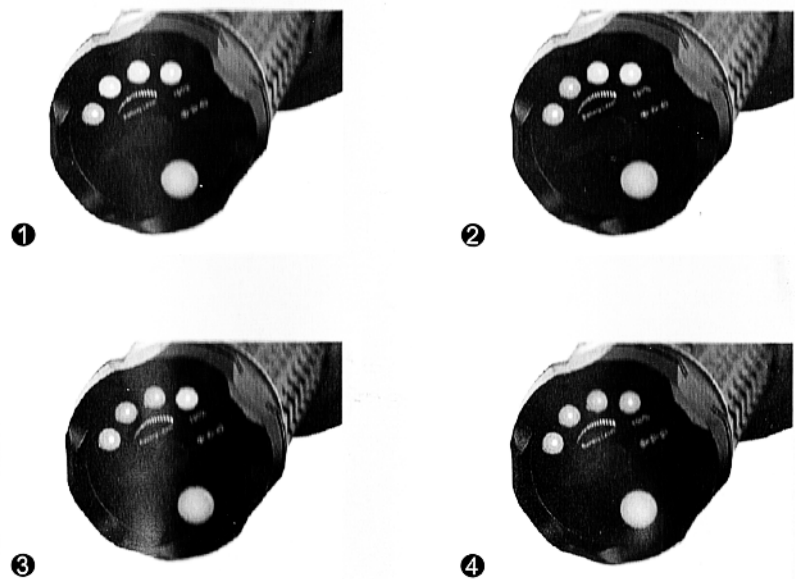
Features

- Max output 2200 lumens
- Max throw 1000 meters
- Rechargeable battery pack with built-in 6 x Li-ion 18650 batteries (7.2v, 6.6A). rechargeable socket on the tail
- Excellent tridimensional heat dissipation
- Easy touching switch on the head for turning on/off the light and transferring modes
- Special designed charger, removeable and adjustable strap.
- Two charging options:
(1). Completed Flashlight
(2). Battery tube section only.
- Mil-spec: MIL-STD-810F
- Highly water resistant
- Anti-shattering ultra clear lens, anti-scratching, anti-slip functions.
- Tough and rugged body offering firm grip
- Advanced digital power management system

.3.

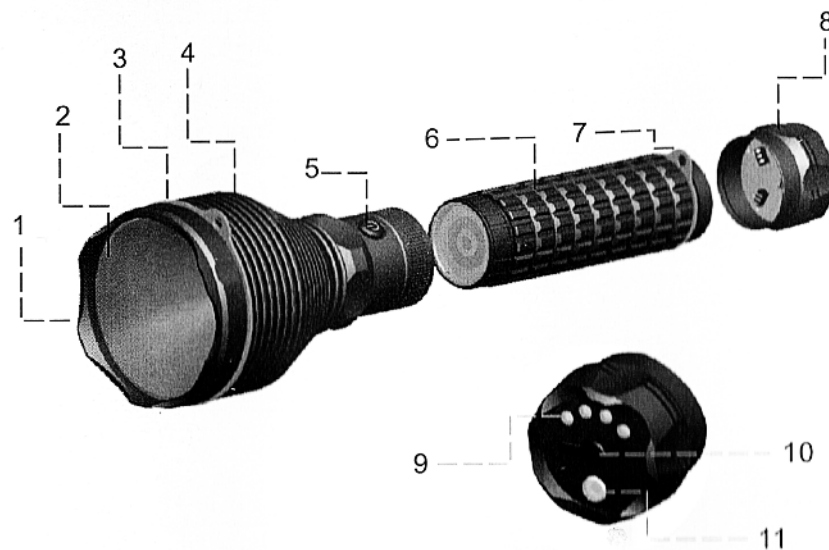
Features

- Four indicators on the tail for indicating the power condition
 - (1). 1 indicator on: 20% -40% power remains
 - (2). 2 indicators on: 40% -60% power remains
 - (3). 3 indicators on: 60% -80% power remains
 - (4). 4 indicators on: 85%+ power remains
- (5). No indicators on means batteries with less than 20% power remains and need charging



.4.

Operation Introduction



No	Name	No	Name
1	Striking Bezel	3/7	Stainless Steel Ring
2	Lens	8	Tailcap
4	Head	9	Power indicator
5	Power Button	10	Charging Socket
6	Battery Pack	11	Indicator Switch

Charging:

Remove the weather-resistant plug from the end of the integrated battery pack / handle and plug in the barrel plug from the supplied charger. Please note that the first charge will take approximately 12 hours. The Lithium Ion batteries used in the Olight SR90 are just like those used in a laptop computer; their service life will be optimized if you charge your light after every use.

While charging, or at any time, you may press the Indicator Switch on the tailcap to show the charge status. The charge status indicator lights will remain lit for 5 seconds.

.5.

Using the light:

Press the side button switch to activate the light.

Press and hold the switch to switch the output mode from High to Low. A fast double press will activate the 10hz Strobe.

The SR90 features a 'memory' which means it will activate to the last mode used. This means if you shut it off from low, it will start again in low.

Usage and Maintenance

Clean contacts, threads and o-rings with a soft clean cloth on an as-needed basis. Dirty threads and contacts are the major causes of most flashlight reliability issues. If you are regularly using your flashlight in a wet or corrosive environments be sure to clean and lubricate o-rings frequently. O-rings are made of silicone so be sure to use a silicone safe lubricant. After any exposure to water, high ambient moisture or corrosive environments the battery pack and lense should be removed and inspected for incursion and cleaned as needed.

For optimal performance please charge the battery pack after each use.

If the light is not used regularly be sure to charge the battery pack every 3-4 months without fail.

Failure to regularly charge the battery pack can result in premature battery pack failure.

It is advisable to never charge batteries unattended.

Please charge your light or battery pack on a non-flammable surface and unplug the battery and charger upon completion of the charge cycle.

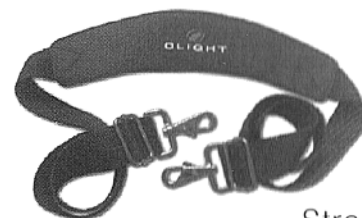
.6.



Don't unscrew the tailcap if not necessary.

During charging the battery pack seperately, or when you unscrew the battery pack and lay aside for a long time, Please cover the battery pack with the cap to avoid unexpected short circuiting.

Accessories

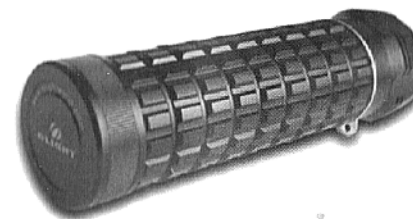


Strap



Charger

Battery pack (Optional)



.7.

Warranty

Olight™ warrants its products to be free from defects in materials and workmanship. Within 30 days of receipt, any defective lights will be offered repair or replacement by the retailer where the product was purchased. Olight™ will repair or replace, at its option and without charge, any product or part which is found to be defective under normal use and service within 24 months counting from the date of purchasing with proof of purchase. Such repair or replacement shall be the purchaser's sole and exclusive remedy under this warranty. This warranty does not cover normal maintenance and service and does not apply to any products or parts which have been subject to modification, misuse, negligence, accident, improper maintenance or repair by anyone other than Olight™.

As to those exceed 24 months of the purchase date, Olight will still provide with warranty service. Labor is free but cost of parts will be charged. This warranty covers parts and or labor only as specified above. Freight and transit costs are the responsibility of the user/owner; not the factory or dealer.

Warranty Limitation:

There is no other express warranty. Olight hereby disclaims any and all implied warranties, including but not limited to fitness for a particular purpose. Olight shall not be liable for incidental, consequential, or special damages arising out of, or connection with, product use or performance.

.8.



Olight Technology Co., Limited

www.olightworld.com

Tel: +86-755-2346 3312

Fax: +86-755-2346 3537

Email: olightworld@gmail.com

www.DrMemory.com/Olight