

WARRANTY

Within 30 days of purchase: Return to retailer from which you purchased for repair or replacement.

Within 5 years of purchase: Return to Olight for repair or replacement.

This warranty does not cover normal wear and tear, modifications, misuse, disintegrations, negligence, accidents, improper maintenance, or repair by anyone other than an Authorized retailer or Olight itself.

Technical Support Inquiries
techsupport@olightworld.com

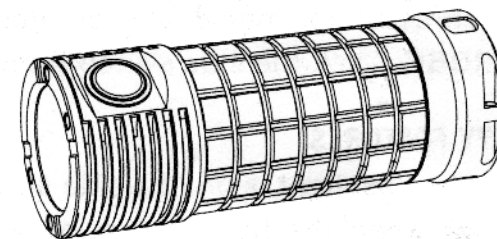
Customer Service
cs@olightworld.com

Visit www.olightworld.com to see our complete product line of portable illumination tools.

OLIGHT™

SR MINI INTIMIDATOR
VARIABLE-OUTPUT SIDE-SWITCH LED FLASHLIGHT

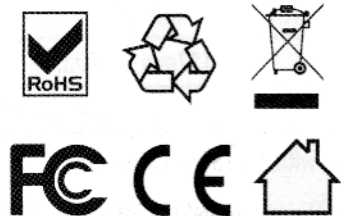
USER MANUAL



Thank you for purchasing the Olight SR Mini Intimidator! Please read this manual carefully before using this product.

INSIDE THE BOX

SR MINI Intimidator, Holster, (3) Battery magazine, (2) O-rings, lanyard, warranty card, user manual



OLIGHT™

Olight Technology Co., Limited
2/F East, Building A, B3 Block, Fuhai
Industrial Park, Fuyong, Bao'an District,
Shenzhen, China 518103

V1. APRIL 17, 2014

MADE IN CHINA

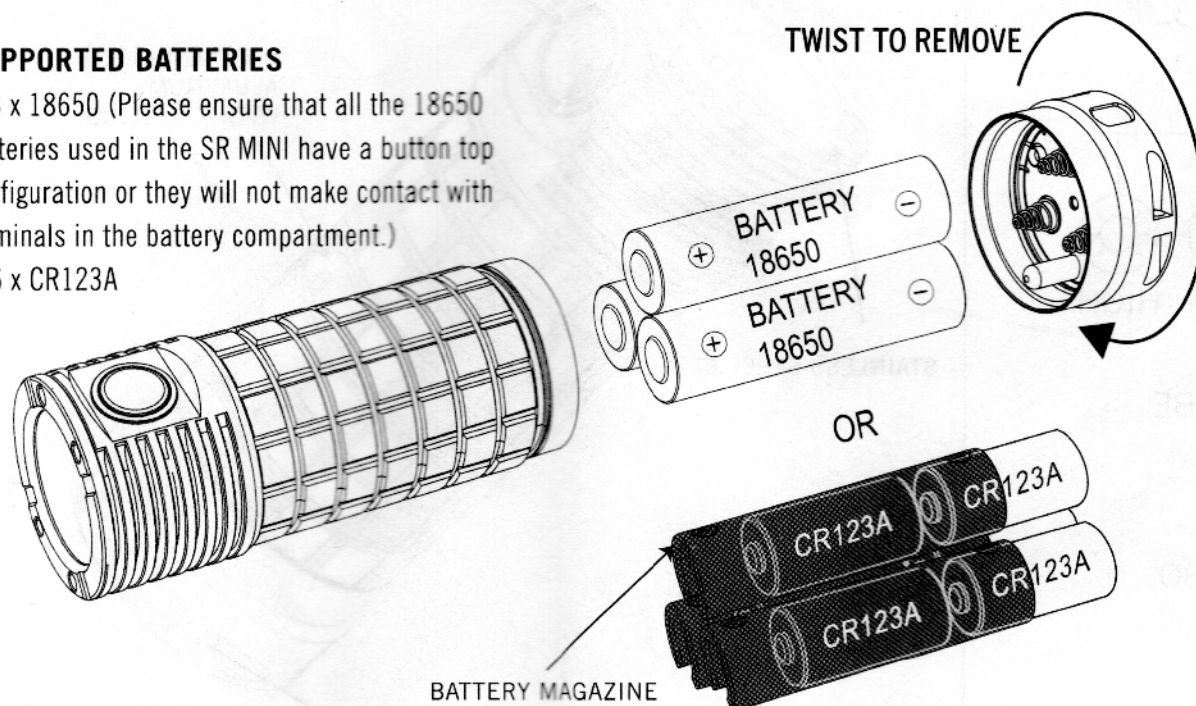
www.DrMemory.com/Olight

BATTERY INSTALLATION

Ensure batteries are inserted with the positive (+) end pointing to the head.

SUPPORTED BATTERIES

- 3 x 18650 (Please ensure that all the 18650 batteries used in the SR MINI have a button top configuration or they will not make contact with terminals in the battery compartment.)
- 6 x CR123A



WARNING:

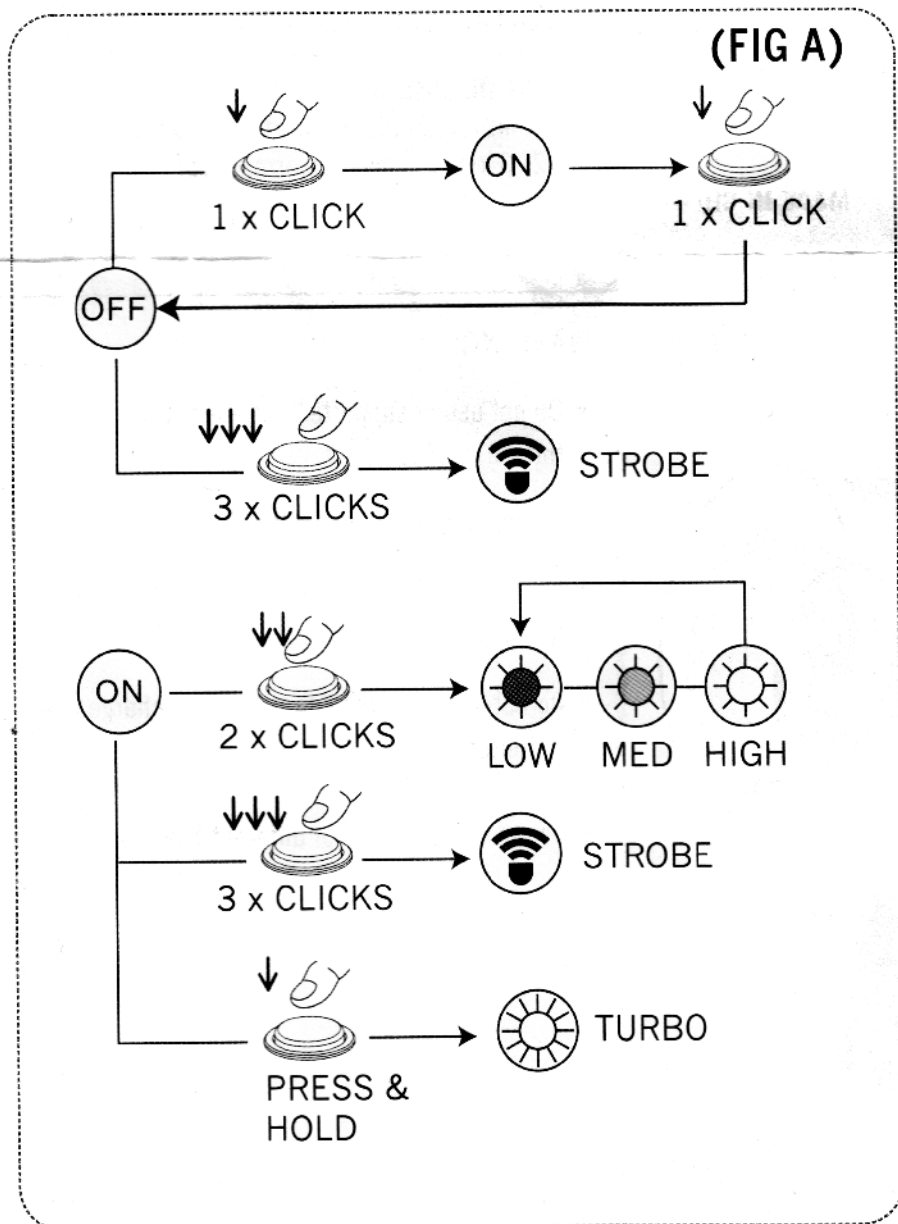
- Do not use unsupported batteries with this flashlight.
- Cannot use flat 18650 batteries.
- Use caution on high outputs or long runtimes as flashlight may get hot.
- Do not mix rechargeable and non-rechargeable batteries.
- Do not mix batteries of different types/brands.

HOW TO OPERATE (FIG A)

- **ON/OFF:** Click the side switch. The flashlight will return to the last used brightness level.
- **CHANGE BRIGHTNESS LEVEL:** When the light is on, quickly click the side switch twice to change brightness levels. The brightness levels will cycle up to high then start again at the low setting.
- **TURBO:** Press and hold the side switch. Turbo mode is only active while switch is depressed for momentary on. Release the side switch to return to last used mode.
- **STROBE:** Click the side switch three times when the light is on or off.

SAFETY FEATURES

When the flashlight is on, the side switch will illuminate. This notification allows users to know when the flashlight is on while head down to avoid overheating and save battery life. An optional two-prong contoured bezel is also available to prevent the flashlight from standing head down.



SPECIFICATIONS

OUTPUT & RUNTIME	
TURBO	2,800 LUMENS / 2 HRS
HIGH	1,200 LUMENS / 3.5 HRS
MED	600 LUMENS / 7 HRS
LOW	200 LUMENS / 16 HRS
STROBE	2,800 LUMENS / 4 HRS
LED	CREE XM-L2 CW
VOLTAGE	5V TO 18V
CANDELLA	12,600 CD
BEAM DISTANCE	224 METERS/ 735 FEET
BATTERY TYPE	3 x 18650 or 6 x CR123A
BODY TYPE	TYPE III HARD ANODIZED ALUMINUM
WATERPROOF	IPX8 (UP TO 2 METERS)
IMPACT RESISTANCE	1.5 METERS
DIMENSIONS	L 127mm x D 48mm/ 5.35 in x 1.9 in
WEIGHT	286 g/ 10.1 oz(excluding batteries)

Note: testing done with 3 x 18650 batteries (3.6V, 3400mAh)

All performance claims to ANSI/NEMA FL1-2009 Standard.

