



BATTERY AND SAFETY WARNINGS:

DANGER:

- The pre-installed battery is specially designed for the S30R BATON II. Please do not unload the pre-installed battery or apply it to other products.
- Do not turn the light directly to human eyes, otherwise it will cause blindness for seconds or hurt the eyes permanently.

WARNING:

- Do not use the turbo mode continuously when the environmental temperature is high, in case the flashlight body is too hot to hold.
- Read user manual carefully when the inserted battery need to be replaced, ensure battery is inserted with the negative (-) end pointing to the head of flashlight (LED side). If the light is about to be put aside for a long time or be transported, please unscrew the tail cap lightly to cut off the circuit of electricity.

NOTICE:

- Please keep the charging dock clean, and wipe it with cotton fabric dipped in alcohol before charging.
- The extended USB port on the charging dock is designed for data transmission for cell phones or other digital products, the charging dock won't work if the current of input load is more than 1000 mA.
- The flashlight is able to be powered by user's 18650 or CR123A, but charging is unavailable.

WARRANTY

Within 30 days of purchase: Return to retailer from which you purchased for repair or replacement.

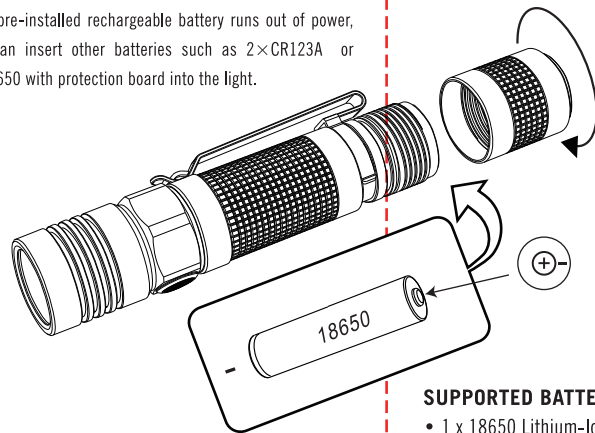
Within 5 years of purchase: Return to Olight for repair or replacement.

This warranty does not cover normal wear and tear, modifications, misuse, disintegrations, negligence, accidents, improper maintenance, or repair by anyone other than an Authorized retailer or Olight itself.



BATTERY REPLACEMENT

If the pre-installed rechargeable battery runs out of power, user can insert other batteries such as 2×CR123A or 1×18650 with protection board into the light.



TWIST TO REMOVE

Technical Support Inquiries

techsupport@olightworld.com

Customer Service

cs@olightworld.com

Visit www.olightworld.com to see our complete product line of portable illumination tools.



Olight Technology Co., Limited
2/F, Building A, B3 Block, Fuhai
Industrial Park, Fuyong, Bao'an District,
Shenzhen, China 518103

MADE IN CHINA

V1. JUNE, 23, 2015

www.DrMemory.com/Olight

SUPPORTED BATTERIES

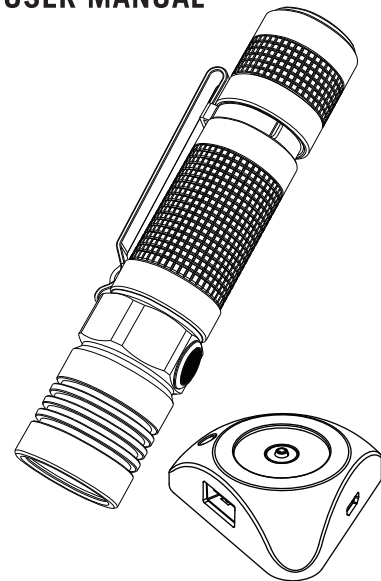
- 1 x 18650 Lithium-Ion battery (included)



S30R BATON II

RECHARGEABLE VARIABLE-OUTPUT SIDE-SWITCH
LED FLASHLIGHT

USER MANUAL



Thank you for purchasing the Olight S30R Baton II flashlight! Please read this manual carefully before using this product.

INSIDE THE BOX

S30R Baton II, (2) o-rings, charging dock, Micro-USB cable, rechargeable 18650 battery, user manual

HOW TO OPERATE

Please screw the tailcap tightly at the first use.

ON/OFF: single click the side switch. The flashlight always turn on at the last output modes.

CHANGE BRIGHTNESS LEVEL (FIG A)
Press and hold the side switch, the brightness levels will cycle repeat the loop of low – medium – high, release the switch at the desired levels.

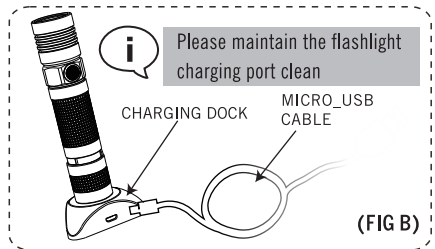
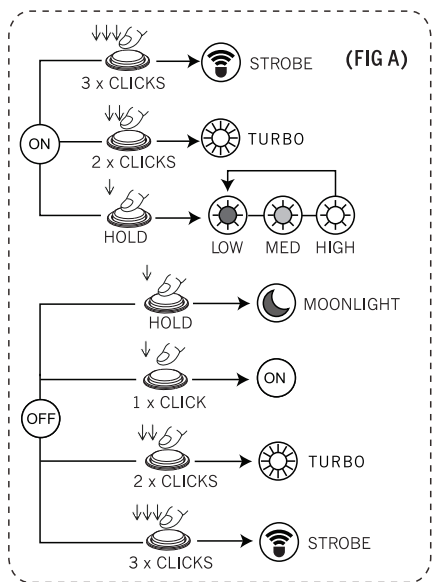
MOONLIGHT: from off status, press and hold the side switch for 1 second to activate moonlight mode, or directly turn the light on by singly clicking the side switch if the previous modes is moonlight.

TURBO MODE: double click the side switch to activate turbo mode, double click again return to the last output mode.

STROBE MODE: triple click the side switch to activate the strobe mode, other operation on the switch will deactivate the strobe mode.

BATTERY CHARGING: (FIG B)

To charge the flashlight, place the flashlight on the top of charging dock, then connect the charging dock to a USB power supply or computer USB port. The charging indicator will light turn red when charging start. When the flashlight is fully charged the charging indicator will turn green.



FLASHLIGHT SPECIFICATIONS

OUTPUT & RUNTIME	3200mAh Battery	3600mAh Battery
	TURBO	1020~600 LUMENS / 3~110 MIN
HIGH	450 LUMENS / 160 MIN	450 LUMENS / 180 MIN
MED	100 LUMENS / 12 HRS	100 LUMENS / 14 HRS
LOW	20 LUMENS / 62 HRS	20 LUMENS / 68 HRS
MOONLIGHT	1 LUMENS / 47 DAYS	1 LUMENS / 50 DAYS
STROBE	10HZ	
LED	CREE XM-L2	
VOLTAGE	3.0V TO 8.4V	
CANDELA	9,600 cd	
BEAM DISTANCE	196 meters/ 643 feet	
BATTERY TYPE	1 x 18650 (included)	
BODY TYPE	TYPE-III HARD ANODIZED ALUMINUM	
WATERPROOF	IPX8	
IMPACT RESISTANCE	1.5 meters	
DIMENSIONS	L 117.5mm x D 26mm / 4.65 x 1.02 in	
WEIGHT	128g / 4.52 oz (with battery)	

All performance claim to ANSI/NEMA FL1-2009 standard.

CHARGEING-DOCK SPECIFICATIONS

WEIGHT	24g / 0.85 oz
INPUT	DC 5V
CHARGING CURRENT	4.2V, 1000mA
DIMENSIONS	55 x 50 x 16mm / 2.17 x 1.97 x 0.63 in

PRODUCT PARTS

