

WARRANTY

Within 30 days of purchase: Return to retailer from which you purchased for repair or replacement.

Within 5 years of purchase: Return to Olight for repair or replacement.

This warranty does not cover normal wear and tear, modifications, misuse, disintegrations, negligence, accidents, improper maintenance, or repair by anyone other than an Authorized retailer or Olight itself.



Technical Support Inquiries
techsupport@olightworld.us

Customer Service
cs@olightworld.us

Visit www.olightworld.com to see our complete product line of portable illumination tools.



Olight Technology Co., Limited
2/F East, Building A, B3 Block, Fuhai
Industrial Park, Fuyong, Bao'an District,
Shenzhen, China 518103

MADE IN CHINA

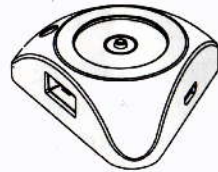
V1. SEP. 15, 2014

www.DrMemory.com/Olight



S15R BATON
RECHARGEABLE VARIABLE-OUTPUT SIDE-SWITCH
LED FLASHLIGHT

USER MANUAL



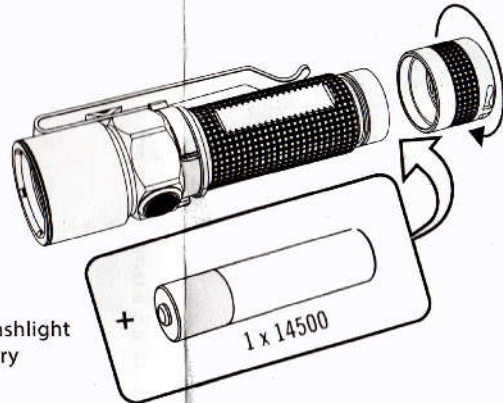
BATTERY INSTALLATION

Ensure batteries are inserted with the positive (+) end pointing to the head. The S15R Baton will not operate with incorrectly inserted batteries.

SUPPORTED BATTERIES

- 1 x 14500

Can be powered by a AA Ni-MH or non-rechargeable AA alkaline battery as a last resort option in case of an emergency.



TWIST TO REMOVE

WARNING:

Do not attempt to place the flashlight with a non-rechargeable battery on charging base.



BATTERY AND SAFETY WARNINGS:

- DO NOT CHARGE NON-RECHARGEABLE BATTERIES.
- Do not use unsupported batteries with this flashlight.
- Use caution on high outputs or long runtimes as flashlight may get hot.
- Before storing the flashlight, it is recommended to turn the tailcap a half turn counterclockwise to disconnect the circuit.

Thank you for purchasing the Olight S15R Baton flashlight! Please read this manual carefully before using this product.

INSIDE THE BOX

S15R Baton, (2) o-rings, lanyard, charge-dok, USB cable, 14500 battery, user manual

HOW TO OPERATE

ON/OFF: Click the side switch to turn flashlight on.

CHANGE BRIGHTNESS LEVEL (FIG A)

Press and hold the side switch when the light is on. The brightness levels will cycle up then repeat low – medium – high until level is selected. Release the switch when on the desired brightness level to select it.

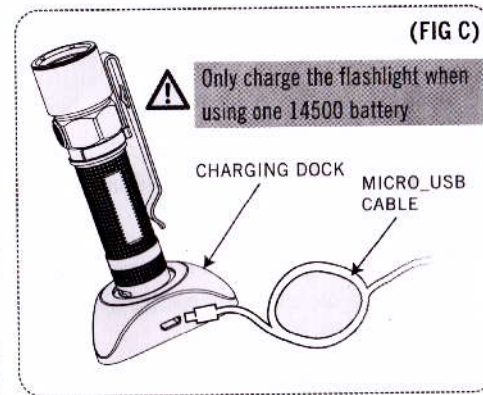
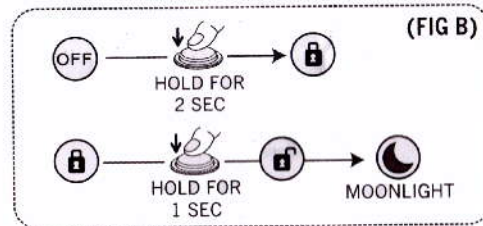
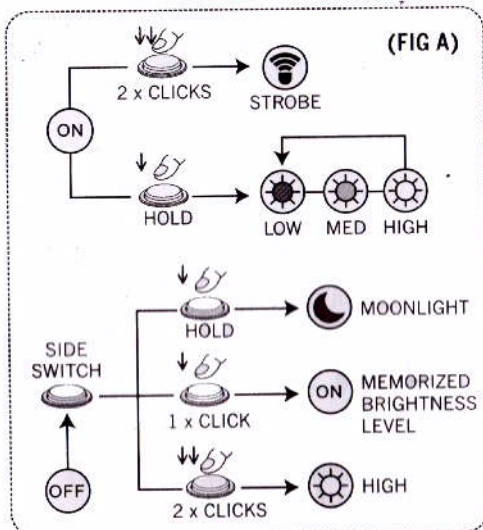
MOONLIGHT: Press and hold the side switch when the light is off.

STROBE: Double click the side switch when the light is on.

LOCK OUT: (FIG B) Press and hold the side switch for approximately two seconds when the light is off. The light will quickly flash the moonlight mode then turn off. The lock out mode will prevent the side switch and tail cap from turning on to prevent accidental activation.

UNLOCK: (FIG B) Press and hold the side switch for approximately one second when the light is locked. The light will automatically be in moonlight mode.

BATTERY CHARGING: (FIG C) To charge the flashlight, place the flashlight on the top of charging dock, connecting via the magnet, the tail end of the light to the charging dock. Plug in the Micro-USB charging cable into the Micro-USB charging port. Contact the Micro-USB cord to a USB power supply or computer USB port to charge. The charging indicator will light up to show the light is charging. When the flashlight is fully charged the charging indicator will turn green.



FLASHLIGHT SPECIFICATIONS

OUTPUT & RUNTIME	
HIGH	280 LUMENS / 45min
MED	70 LUMENS / 4h
LOW	7 LUMENS / 32h
MOONLIGHT	0.5 LUMEN / 360h
STROBE	280 LUMENS (10HZ) / 1h30min
LED	CREE XM-L2
VOLTAGE	0.9V to 4.2V
CANDELLA	1,750 CD
BEAM DISTANCE	84 METERS/ 276 FEET
BATTERY TYPE	1 x 14500
BODY TYPE	TYPE-III HARD ANODIZED ALUMINUM
WATERPROOF	IPX7 (UP TO 1 METER)
IMPACT RESISTANCE	1.5 METERS
DIMENSIONS	L 89.4mm x D 23mm / 3.5 in x 0.91 in
WEIGHT without battery	47g / 1.66 oz

Note: Tests performed with 1 x 750mAh 3.7V 14500 battery

CHARGE-DOK SPECIFICATIONS

WEIGHT	24g / 0.85 oz
INPUT	DC 5V
OUTPUT1	4.55V, 0.5A
OUTPUT2 (EXTENDED)	5V, 2A
DIMENSIONS	55 x 50 x 16mm / 2.17 x 1.97 x 0.63 in

PRODUCT PARTS

