

## BATTERY INSTALLATION

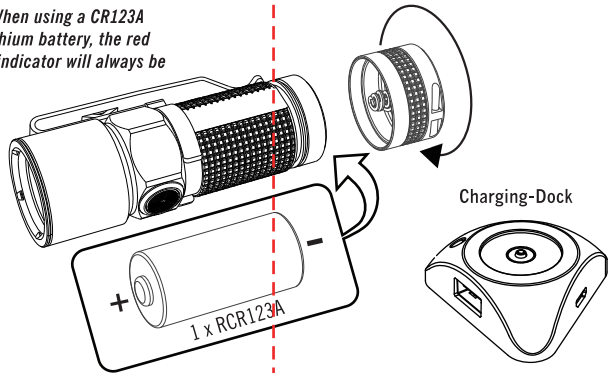
Ensure battery is inserted with the positive (+) end pointing to the head. The S10R Baton II will not operate with incorrectly inserted battery.

## SUPPORTED BATTERIES

- 1 x RCR123A

Can be powered by a non-rechargeable CR123A lithium battery as a last resort option in case of an emergency.

*Note: When using a CR123A 3.0V lithium battery, the red power indicator will always be on.*



### WARNING:

*Do not attempt to place the flashlight with a non-rechargeable battery on charging-dock.*



## BATTERY AND SAFETY WARNINGS:

- **DO NOT CHARGE NON-RECHARGEABLE BATTERIES.**
- Do not use unsupported batteries with this flashlight.
- Use caution on high outputs or long runtimes as flashlight may get hot.
- Before storing the flashlight, it is recommended to turn the tailcap a half turn counterclockwise to disconnect the circuit.



## WARRANTY

Within 30 days of purchase: Return to retailer from which you purchased for repair or replacement.

Within 5 years of purchase: Return to Olight for repair or replacement.

This warranty does not cover normal wear and tear, modifications, misuse, disintegrations, negligence, accidents, improper maintenance, or repair by anyone other than an Authorized retailer or Olight itself.

## Technical Support Inquiries

techsupport@olightworld.com

## Customer Service

service@olightworld.com

Visit [www.olightworld.com](http://www.olightworld.com) to see our complete product line of portable illumination tools.



Olight Technology Co., Limited  
2/F, Building A, B3 Block, Fuhai  
Industrial Park, Fuyong, Bao'an District,  
Shenzhen, China 518103

V1. SEP. 15, 2015

[www.DrMemory.com/OLight](http://www.DrMemory.com/OLight)



MADE IN CHINA



## USER MANUAL S10R BATON II

Thank you for purchasing the Olight S10R Baton II flashlight! Please read this manual carefully before using this product.

## INSIDE THE BOX

S10R Baton II (including one RCR123A), lanyard, charge-dok, USB cable, user manual

## FLASHLIGHT SPECIFICATIONS

Material: A6061-T6 aluminum with class-III anodizing

 105 m	 500 lumens	 2,800 cd	 IPX7
 1.5 m	 Cree XP-L HD CW	 1 x CR1 2 3A or 1 x RCR 1 2 3A	
 10 Hz	 (L)73.5 x (D)23.0 mm	 43g excluding batteries	

## OUTPUT & RUNTIME

MODE1:  HIGH	500~300 lm	4+45min
MODE2:  MEDIUM	100 lm	3h20min
MODE3:  LOW	5 lm	48h
MODE4:  MOONLIGHT	0.5 lm	168h

Tests performed with one RCR123A battery (including )

## HOW TO OPERATE

**ON/OFF:** Click the side switch to turn flashlight on.

### CHANGE BRIGHTNESS LEVEL (FIG A)

Press and hold the side switch when the light is on. The brightness levels will cycle up then repeat low – medium – high until level is selected. Release the switch when on the desired brightness level to select it.

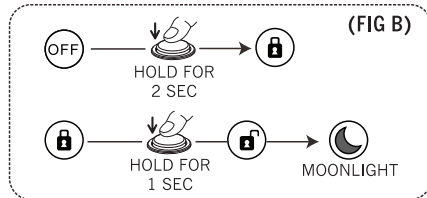
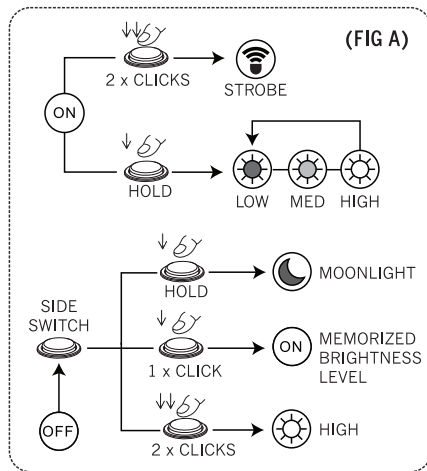
**MOONLIGHT:** Press and hold the side switch over than 1 second when the light is off.

**STROBE:** Double click the side switch when the light is on.

**LOCK OUT: (FIG B)** Press and hold the side switch for approximately two seconds when the light is off. The light will quickly flash the moonlight mode then turn off. The lock out mode will prevent the side switch and tail cap from turning on to prevent accidental activation.

**UNLOCK: (FIG B)** Press and hold the side switch for approximately one second when the light is locked. The light will automatically be in moonlight mode.

**BATTERY CHARGING:** To charge the flashlight, place the flashlight on the top of charging dock, connecting via the magnet, the tail end of the light to the charging dock. Plug in the Micro-USB charging cable into the Micro-USB charging port. Connect the Micro-USB cord to a USB power supply or computer USB port to charge. The charging indicator will light up to show the light is charging. When the flashlight is fully charged the charging indicator will turn green.



## CHARGING DOCK SPECIFICATIONS

WEIGHT	24g / 0.85 oz
INPUT	DC 5V
OUTPUT1	4.55V, 0.75A
DIMENSIONS	55 x 50 x 16mm / 2.17 x 1.97 x 0.63 in

## HOW TO AFFIX YOUR CHARGING DOCK TO SURFACES

1. Remove the plastic film from one side of the anti-slip pad.
2. Making sure the anti-slip pad is aligned with the bottom of the charging dock, press the exposed side down onto the bottom of the charging dock.
3. Then remove the plastic film from the other side and press the dock, bottom side down, to the desired location.
4. Before placing the charging dock on any surface, make sure the surface you attach the charging dock to is clean from any dust or debris.
5. To change the location of the charging dock, firmly grip the base of the charging dock and pull up. Apply the dock base to the new area and press down firmly, making sure that the surface you are reattaching to is clean.

## CLEANING

To clean the anti-slip pad, rinse with water. Do not use fiber cloths to wipe, as it will leave debris behind and cause the pad not adhere properly to surfaces.

