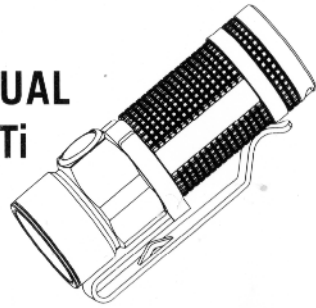




USER MANUAL S1 BATON Ti



Thank you for purchasing Olight LED flashlight! Please read this manual carefully before using this product.

INSIDE THE BOX

S1 Baton Ti, CR123A, lanyard, traffic wand, manual.

FLASHLIGHT SPECIFICATIONS

Material: Titanium alloy, stainless steel clip

110 m	480 lumens	3,000 cd	IPX8
1.5m	Cree XM-L2 NW	1 x CR123A or 1 x RCR123A	
10 Hz	(L)61 x (D)21.0 mm	41.5g excluding battery	

OUTPUT & RUNTIME

MODE1:	HIGH	480~240 lm	1.5+90min
MODE2:	MEDIUM	75 lm	6h
MODE3:	LOW	7 lm	40h
MODE4:	MOONLIGHT	0.5 lm	600h

Tests performed with one CR123A battery (including)

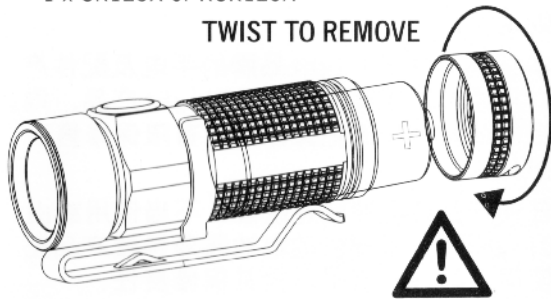
BATTERY INSTALLATION

Ensure battery is inserted with the positive (+) end pointing to the tailcap. The S1 Baton Ti will not operate with incorrectly inserted battery.

SUPPORTED BATTERIES

- 1 x CR123A or RCR123A

TWIST TO REMOVE



HOW TO OPERATE

ON/OFF: To turn on the light, single-click the side switch, the flashlight outputs at the brightness level before last use, single-click again will turn the light off.

CHANGE BRIGHTNESS LEVEL

Press and hold the side switch when the light is on. The brightness levels will cycle up then repeat low – medium – high until level is selected. Release the switch when on the desired brightness level to select it.

S1 Baton Ti have 4 advantage function you can access by follow operations:

- **Moonlight:** from off state, press then hold the side switch for 1 second enables the low-lumen moonlight.
- **Direct access to high:** from off state, double clicks

directly activate high mode.

- **Strobe:** while on, triple-click the side switch to activate strobe mode, any other operation will quit the strobe.
- **Timer:** the S1 baton Ti contains two timer settings, the flashlight will automatically shut down when the time arrive at the setting value of timers. While on, double-click the side switch enters into timer modes, output will present short blinks - 1 blink means a 3 minutes timer, 2 blinks mean 9 minutes timer, and swap between 3 minutes or 9 minutes by double-click the side switch again.

NOTICE

- Memorization can be used with these four modes listed: low, medium, high and timer mode, but high mode activated by double-click on the side switch will not be memorized.
- Standard brightness mode changing does not include moon light mode. With the moon light mode on, click and hold the side switch to activate the standard brightness modes.

- The light does not memorize strobe mode. When the strobe mode is deactivated, the memorized mode will be the last output mode used before activating strobe.

- When the strobe mode is on, click and hold the side switch to deactivate the strobe mode, the light will return to the last output mode used before activating strobe.



DANGER

Do not turn the light directly into human eyes. This may cause blindness for seconds or hurt the eyes.

WARNING

- Do not use the turbo mode continuously when the environmental temperature is high in case the flashlight body is too hot to hold.

- Ensure battery is inserted with the negative (-) end pointing to the head of the flashlight (LED side).

- If the light is about to be put aside for a long time or be transported, please unscrew the tail cap lightly to cut off the circuit of electricity.

- Please do not use an RCR123 lithium ion battery without a protective board.

WARRANTY

Within 30 days of purchase: Return to retailer from which you purchased for repair or replacement.

Within 5 years of purchase: Return to Olight for repair or replacement.

This warranty does not cover normal wear and tear, modifications, misuse, disintegrations, negligence, accidents, improper maintenance, or repair by anyone other than an Authorized retailer or Olight itself.

Technical Support Inquiries

techsupport@olightworld.com

Customer Service

service@olightworld.com

Visit www.olightworld.com to see our complete product line of portable illumination tools.



Olight Technology Co., Limited
2/F East, Building A, B3 Block, Fuhai Industrial Park, Fuyong, Bao'an District, Shenzhen, China 518103

V1. 10, 14, 2015



MADE IN CHINA





S1 BATON Ti 说明书



感谢您购买OLIGHT LED FLASHLIGHT, 在使用前请仔细阅读本说明书。

包装清单

手电筒, CR123A, 挂绳, 白色交通指挥棒, 说明书

规格参数

材料: 钛合金主体, 不锈钢抱夹

110 m	480 lumens	3,000 cd	IPX8
1.5m	Cree XM-L2 NW	1 x CR123A or 1 x RCR123A	
10 Hz	(L)61 x (D)21.0 mm	41.5g excluding battery	

输出 & 运行时间

模式1:	HIGH	480~240 lm	1.5+90min
模式2:	MEDIUM	75 lm	6h
模式3:	LOW	7 lm	40h
模式4:	MOONLIGHT	0.5 lm	600h

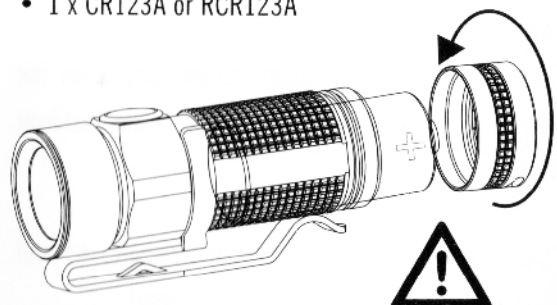
测试使用包含的电池 (3V, 1500mAh)

电池安装

从包装取出手电以及电池, 电池负极朝向手电头部 (LED所在的一端) 装入手电, 旋紧尾盖。(参见图示)

可用电池

- 1 x CR123A or RCR123A



注意电池安装方向

操作说明

开/关机:

单按侧按键。开机时手电输出在记忆存储的亮度。

改变亮度:

长按侧按键, 输出转入常用的低->中->高, 三种模式循环, 释放时选定亮度。

开启月光:

关机状态下按下侧按键1秒以上, 开启月光模式。

从关机直接进入高亮:

快速双按侧键。

开启爆闪:

任何情况下三按侧按键, 任意按键操作退出爆闪。

定时关机:

两种定时时长: 长定时9分钟与短定时3分钟。开机后, 在当前亮度下, 双按侧按键, 输出闪一次为短定时, 闪两次为长定时, 计时结束自动关机。在计时过程双按侧按键转换长定时与短定时。

提示

记忆体保存的模式为以下四中之一:

低亮、中亮、高亮、定时设置, 通过双按进入的高亮档不记忆。

月光模式不在常规亮度 (低、中、高) 调光序列中, 在月光状态下, 长按侧按键进入常规调光序列。

手电不记忆爆闪模式, 退出爆闪时, 记忆体内保存爆闪前一模式。

爆闪时长按下侧按键, 退出爆闪, 输出记忆的亮度。



危险

请勿将手电光线直射人眼, 防止导致眼睛短时间致盲或伤害。

警告

在高温环境, 请勿连续多次激活高档, 以免手电表面高温影响握持。

更换电池时, 电池负极朝向手电头部 (LED所在的一端), 参见本说明书。

手电长时间闲置或用于运输, 请旋松尾盖一圈断开电池供电回路。

请勿使用不具有保护板的RCR123可充锂电池。

保修条款

细则说明:

1. 本细则适用于Olight品牌的手电及配件产品。凡通过正规渠道购买的Olight产品, 均享受本公司提供的免费保修或有限保修售后服务;

2. 任何产品或配件经过改装、不当使用或由非Olight随产品提供的电池漏液导致产品无法使用, Olight将不承担其保修责任;

保修承诺:

1. 30天保换期: Olight手电产品自售出之日起30天内 (以购买发票或者其它有效购买单据上的日期为准), 在正常使用情况下, 出现产品质量问题, 客户可选择更换新品及部件, 或维修服务;

2. 5年免费保修期: Olight手电产品自售出之日起5年内 (以购买发票或者其它有效购买单据上的日期为准), 用户在正常使用情况下, 出现产品质量问题, 则享受免费维修服务;

3. 终身有限保修: 在超过5年免费保修时间外, Olight将提供有偿保修, 更换配件及运输费用由用户承担, 不另收取人工费用;

4. 电池质保: Olight为随产品提供或单独销售的可充电电池提供1年 (以购买发票或者其它有效购买单据上的日期为准) 质保;

5. 用户保修时凭Olight保修条款及购买有效单据与经销商联系, 由经销商对消费者提供服务, 我公司将对经销商提供服务支持;

技术咨询

techsupport@olightworld.com

客服

service@olightworld.com

更多信息请访问网站:

www.olightworld.com



深圳市宝安区福永镇福海工业
区B3区A栋二楼东



V1. 10, 14, 2015



MADE IN CHINA

