

## WARRANTY

Within 30 days of purchase: Return to retailer from which you purchased for repair or replacement.

Within 5 years of purchase: Return to Olight for repair or replacement.

This warranty does not cover normal wear and tear, modifications, misuse, disintegrations, negligence, accidents, improper maintenance, or repair by anyone other than an Authorized retailer or Olight itself.



**Technical Support Inquiries**  
techsupport@olightworld.us

**Customer Service**  
cs@olightworld.us

Visit [www.olightworld.com](http://www.olightworld.com) to see our complete product line of portable illumination tools.



Olight Technology Co., Limited  
2/F, Building A, B3 Block, Fuhai  
Industrial Park, Fuyong, Bao'an District,  
Shenzhen, China 518103

MADE IN CHINA

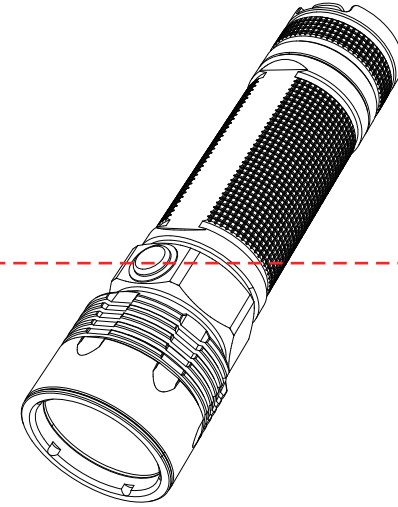
V2. SEP. 24, 2014

[www.DrMemory.com/Olight](http://www.DrMemory.com/Olight)



**R40 SEEKER**  
RECHARGEABLE VARIABLE-OUTPUT SIDE-SWITCH  
LED FLASHLIGHT

## USER MANUAL

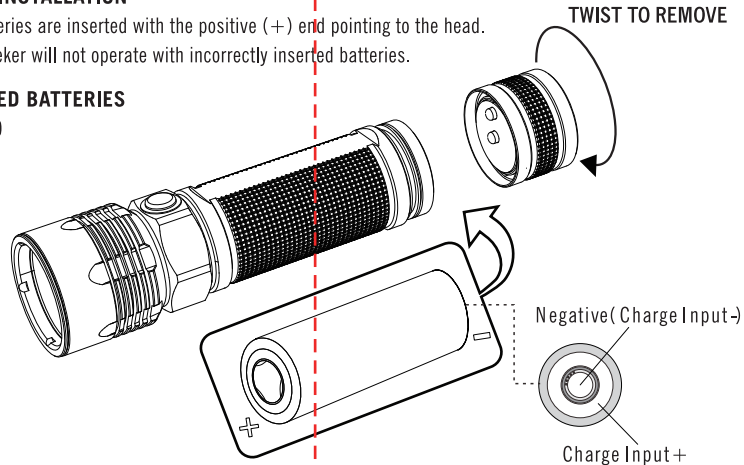


### BATTERY INSTALLATION

Ensure batteries are inserted with the positive (+) end pointing to the head. The R40 Seeker will not operate with incorrectly inserted batteries.

### SUPPORTED BATTERIES

- 1 x 26650



### BATTERY AND SAFETY WARNINGS:

- Do not use unsupported batteries with this flashlight.
- Use caution on high outputs or long runtimes as flashlight may get hot.
- Before storing the flashlight, turn the tailcap a half turn counterclockwise to disconnect the circuit.

Thank you for purchasing the Olight R40 Seeker flashlight! Please read this manual carefully before using this product.

### INSIDE THE BOX

R40 Seeker, (2) o-rings, lanyard, 5V1A USB Power, USB cable, 26650 battery, user manual

## HOW TO OPERATE

**ON/OFF:** Click the side switch to turn flashlight on.

### CHANGE BRIGHTNESS LEVEL (FIG A)

Press and hold the side switch when the light is on. The brightness levels will cycle up then repeat low – medium – high until level is selected. Release the switch when on the desired brightness level to select it.

**STROBE:** Double click the switch will activate the strobe mode, hold the switch for 1 second will return to constant on.

**LOCK OUT: (FIG B)** Press and hold the side switch for approximately two seconds when the light is off. The light will quickly flash the memorized mode then turn off. Under lock out status, the red indicator under the switch instantly lights on to respond your operate on the switch. The lock out mode will prevent the side switch and tail cap from turning on to prevent accidental activation.

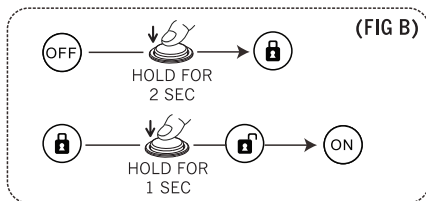
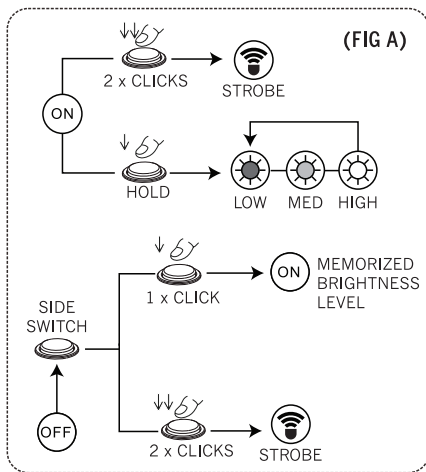
**UNLOCK: (FIG B)** Press and hold the side switch for approximately one second when the light is locked. The light will automatically be in memorized mode.

**BATTERY CHARGING:** R40 has a built-in charger, the charging input port is an universal micro-usb socket covered by a rubber plug in the tail cap, charging start while connecting the flashlight with included USB power by the USB cable. A dual color indicator underneath the input port displays charging state, red light means charging is in process, green light means charging completed. After unplugging USB plug, please restore the rubber cover to his seat to prevent the dust or other something blocking the input port.

**Low battery warning:** There is a red led under the switch, it will blink by twice every 3 seconds when the battery voltage drop down to lower level.

### Warning:

- DO NOT attempt to charge a standard 26650 with the integrated charger, it will cause the damage of product.
- DO NOT try to use included 26650 battery to other product, this battery are specially designed for R40, it will not work in most other lights.
- Included USB cable is just for power transmission for R40, can not be used in other device.



## FLASHLIGHT SPECIFICATIONS

OUTPUT & RUNTIME	
HIGH	1100 LUMENS / 2h
MED	250 LUMENS / 7h
LOW	12 LUMENS / 100h
STROBE	1100 LUMENS (10HZ) / 4h
LED	CREE XM-L2
VOLTAGE	3.0V TO 4.2V
CANDELA	19,600 CD
BEAM DISTANCE	280 METERS/ 919 FEET
BATTERY TYPE	1 x 26650
BODY TYPE	TYPE-III HARD ANODIZED ALUMINUM
WATERPROOF	IPX8 (UP TO 2 METERS)
IMPACT RESISTANCE	1 METER
DIMENSIONS	L 143mm x D 38.5mm / 5.6 x 1.52 in
WEIGHT with battery	245g / 8.6 oz

Note: Tests performed with 1 x 26650 battery (4000mAh/3.7V)

All performance claims to ANSI/NEMA FL1-2009 Standard.

