



BATTERY AND SAFETY WARNINGS

- Do not mix rechargeable and non-rechargeable batteries.
- Do not mix batteries of different types/brands.
- Do not use unsupported batteries with this flashlight.
- Use caution on high outputs or long runtimes as flashlight may get hot.
- Before storing the flashlight, it is recommended to turn the tailcap a half turn counterclockwise to disconnect the circuit.

WARRANTY

Within 30 days of purchase: Return to retailer from which you purchased for repair or replacement.

Within 5 years of purchase: Return to Olight for repair or replacement.

This warranty does not cover normal wear and tear, modifications, misuse, disintegrations, negligence, accidents, improper maintenance, or repair by anyone other than an Authorized retailer or Olight itself.



Technical Support Inquiries

techsupport@olightworld.us

Customer Service

service@olightworld.us

Visit www.olightworld.com to see our complete product line of portable illumination tools.



Olight Technology Co., Limited
2/F, Building A, B3 Block, Fuhai
Industrial Park, Fuyong, Bao'an District,
Shenzhen, China 518103

V2. DEC. 01, 2014

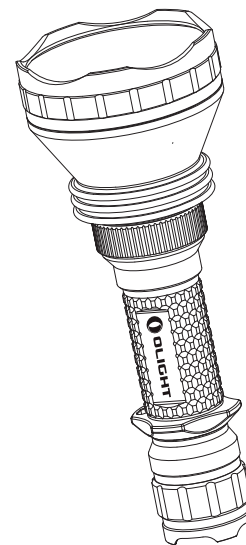
www.DrMemory.com/Olight



M2X-UT JAVELOT

EXTENDED-RANGE VARIABLE-OUTPUT LED FLASHLIGHT

USER MANUAL



Thank you for purchasing the Olight M2X-UT Javelot flashlight! Please read this manual carefully before using this product.

INSIDE THE BOX

M2X-UT Javelot, Battery Magazine, Holster, (2) o-rings, lanyard, user manual

HOW TO OPERATE

ON/OFF: Click the tailcap switch to turn flashlight on.

CHANGE BRIGHTNESS LEVEL (FIG A)

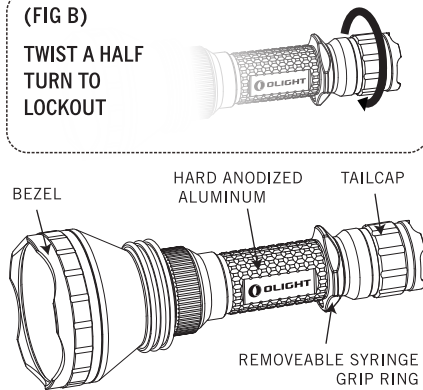
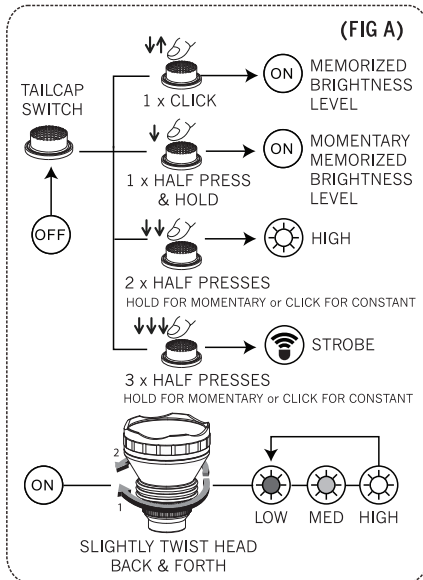
When the light is on, quickly twist the head of the flashlight counterclockwise then clockwise. With each back and forth twist, the brightness levels will cycle up then repeat low – medium – high. Do not over loosen the head.

HALF PRESSES: When the light is off, 1 half press returns to last used brightness level, 2 half presses goes to highest brightness level, and 3 half presses goes to strobe. Hold for momentary activation or click down for constant on in the setting.

STROBE: When the light is off, half press the tailcap switch 3 times. Hold for momentary strobe or click for constant strobe. Strobe will not be not memorized.

LOCK OUT: (FIG B) Half turn the tailcap counterclockwise for lock out mode. The lock out mode prevents accidental activation.

UNLOCK: Turn tailcap clockwise until tight.

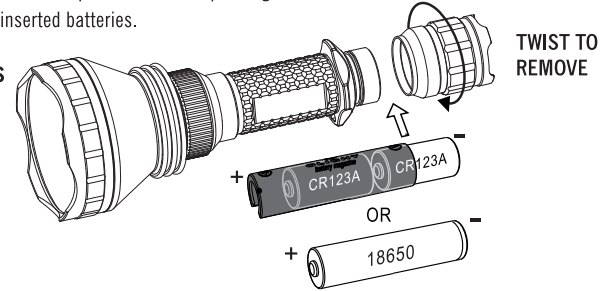


BATTERY INSTALLATION

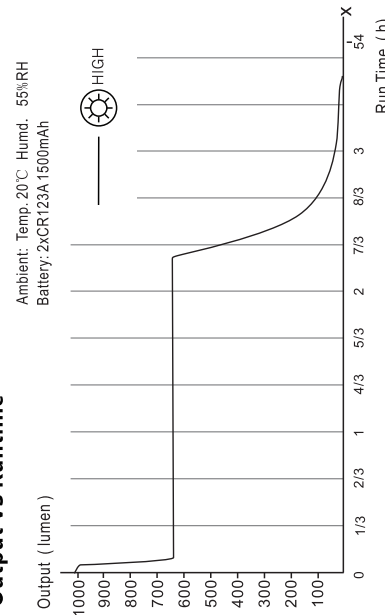
Ensure batteries are inserted with the positive (+) end pointing to the head. The M2X-UT Javelot will not operate with incorrectly inserted batteries.

SUPPORTED BATTERIES

- 2 x CR123A
- 1 x 18650



Output VS Runtime



SPECIFICATIONS

OUTPUT & RUNTIME	
HIGH	1020 LUMENS / 1 HR
MED	250 LUMENS / 3 HRS
LOW	20 LUMENS / 30 HRS
STROBE	1020 LUMENS (10HZ) / 2 HRS
LED	CREE LED
VOLTAGE	3.0V TO 8.4V
CANDELA	164,000 CD
COLOR TEMP	5000K~6000K
BEAM DISTANCE	810 METERS/ 2657 FEET
BATTERY TYPE	2 x CR123A / 1 x 18650
BODY TYPE	TYPE-III HARD ANODIZED ALUMINUM
WATERPROOF	IPX8 (UP TO 2 METERS)
IMPACT RESISTANCE	1 METER
DIMENSIONS	L 163mm x D 63mm / 6.4 in x 2.3 in
WEIGHT without battery	218g / 7.69 oz

Note: Tests performed with 2x CR123A(3.0V) 1500mAh batteries

All performance claims to ANSI/NEMA FL1-2009 Standard.