



OLIGHTTM

M20 TITANIUM WARRIOR

Operator's Manual

Specification

Mode Model	Low Mode	Medium Mode	High Mode	Strobe Mode
M20 Titanium	20 lm(30H)	80 lm(8H)	500 lm(1.2H)	500 lm(2.4H)

Batteries: 2 x CR123A , 2 x RCR123A, 2 x16340, 1 x18650, 1 x 17670

Dimension:

Length:140mm (5.5"),

Bezel Diameter : 33.5mm(1.3")

Body Diameter: 24.80 mm (0.98")

Weight:161g (Exclude Batteries)

Function: Three Brightness Levels and Strobe Mode.

Accessories:

Includes 1PC Holster, 1PC Battery Magazine,1PC Smooth Reflector,
1PC White Diffuser, 1PC Lanyard, 1PC Operator's Manual.

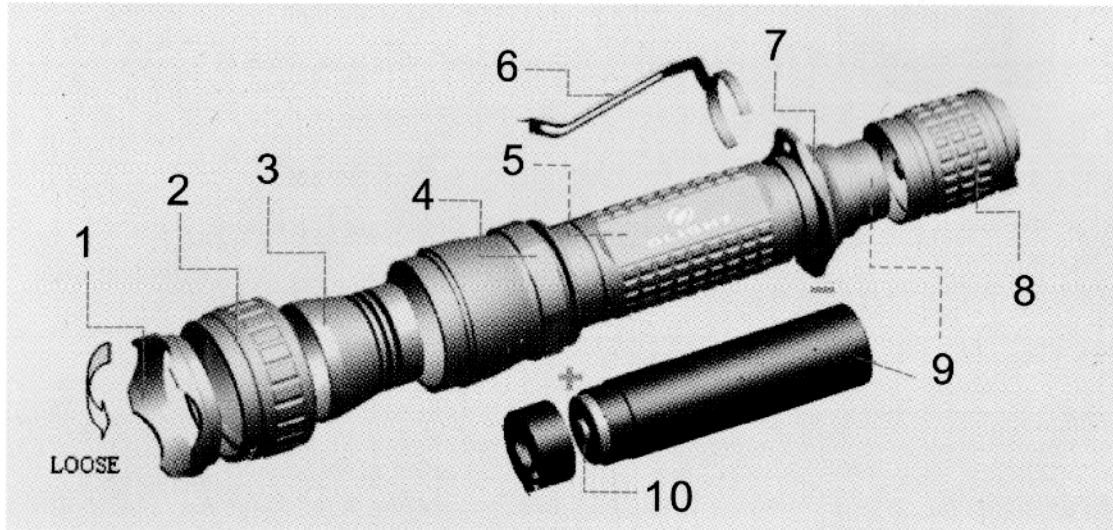
Features

- Titanium Alloy Body
- World-class super bright Luminus SST-50 LED
- Max 500 lumens
- Max 30 hours long runtime
- Tactical momentary-on forward switch; protruding switch for easy momentary or click to lock on
- Auto memorization of specific function for instant access
- Linear functional adjustment for easy change of functions
- Front removable Titanium Alloy striking bezel and rear striking bezel, removed for daily use, installed for close quarter combat
- Fluorescent tail switch for easy finding when operating in darkness
- Ergonomic design with solid structure for easy operation
- Full orange peel reflector, perfectly centered light source, for flawless beam with the longest shot

Features

- Cutting-edge reverse polarity protection, with the right batteries, you can leave them in long direction for extended period, it will not burn the circuit
- Strong / quick to release lanyard to prevent loss and easy access
- Highly water resistant
- Anti-shattering ultra clear lens, anti-scratching and anti-slip
- Metal 'cigar hold' ring optimally positioned offer additional Anti-roll properties and is pre-installed but removable for Smoother body hold
- Engineered anti-slip body texture that give you a firm tight grip
- Stainless steel pocket clip
- Advanced digital power management system for best smooth and even brightness during battery life time

Operation Introduction



No	Name
1	Striking Bezel
2	Head(Upside)
3	Reflector
4	Head(Downside)
5	Battery Tube
6	Clip
7	Cigar hold
8	Tailcap
9	Battery Magazine
10	Battery

For momentary light, gently press (no click) the tailcap pushbutton switch.
For constant light, fully press (click) the tailcap pushbutton switch.

To switch functions, click on the light, loosen the head (see figure 4) by 1/8 of a circle and then tighten it down, the light will move to the next function. Repeat the same operation for further functions.

Battery installation should be performed as shown in figure 9. The flashlight will not turn on if batteries are installed incorrectly but the circuit is protected against damage from reverse polarity. The Titanium Alloy strike bezel is removable, see figure 1. Rotate bezel (front) of flashlight counter-clockwise to remove the reflector, see figure 2 & 3. Caution: be sure not to touch, handle or contact in any way the inner surface of the reflector as it will be irrevocably damaged by handling. Replace bezel and re-install by screwing in clockwise. Pocket clip is removable by rotating the 'cigar hold'ring counter-clockwise, see figure 6.

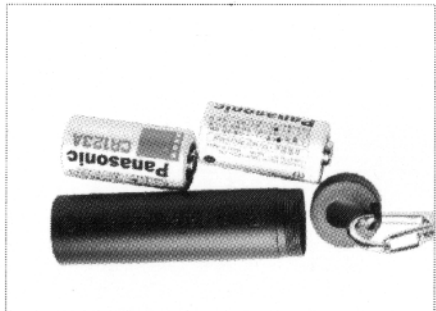
Usage and Maintenance

Use quality batteries so as not to damage the light due to leaks or other self-destructive possibilities. Remove batteries when light will not be used for an extended period or if batteries are discharged. When using Li-Ion batteries Olight only recommends the use of 'protected' batteries that limit charge and discharge.

Clean contacts, threads and O-rings of the flashlight with clean cloth from time to time when necessary. Should flickers or doesn't light up this is the most likely cause. If flashlight is used in wet environment, lubricate O-rings frequently to maintain watertight seal. After prolonged exposure to moisture, the bezel, lamp, and batteries should be removed, inspected, and cleaned if necessary.



Smooth/Texture Reflector



Battery Magazine



Remote Pressure Switch



Pocket Clip Switch



Diffuser & Filter



Holster



Weapon Mount

Optional Accessories



Olight Technology Co. , Limited

www.olightworld.com

Tel: +86-755-23463312

Fax: +86-755-23463537

Email: olightworld@gmail.com

We Make A Difference



OLIGHT

M20 TITANIUM WARRIOR NO: 13



OLIGHT

M20 TITANIUM WARRIOR NO: 13



OLIGHT™

M20 TITANIUM WARRIOR

Operator's Manual









M20 TITANIUM WARRIOR
13 of 500











OLIGHT



M20 TITANIUM WARRIOR
13 of 500











M20 TITANIUM WARRIOR
13 of 500