

ENGLISH

Thank you for purchasing Olight products. Please read the manual carefully before using this product, this manual is for M10 Maverick.

M10 Maverick (M10 for short) is a mini LED flashlight specially designed for tactical applications, it is extended from Olight's S10 Baton but better. M10 is assigned striking stainless steel bezel, tail forward push switch, and simplify output brightness levels, it makes operating more friendly. M10 assembled the latest in CREE XM-L2 LED, highly optimized smooth reflector, which raise light intensity up to 60%, the output reach 350 lumens.

M10 can be powered by CR123A or RCR123A battery, it includes high efficiency synchronous constant current circuit and precise light-thermal balance program which ensure high brightness but long run time. The structure is designed under the idea of compact, light, difference and reliable so that it is very solid and durable. Olight produced various accessories (such as weapon mount, filter, remote controller) to promote its value. It is a perfect choice for government agencies, law enforcement, military applications, hunting, outdoor and much more.

Product parts (See Figure 1)

Operational instruction

1. Battery Installation: (See Figure 2)

Insert the battery into the flashlight, refer to Figure 2, the battery positive towards light head.

2. Operate the flashlight: (See Figure 3)

a) Side switch in head controls output, three brightness levels "low-medium-high" changes by circle. Hold the button to activate strobe.

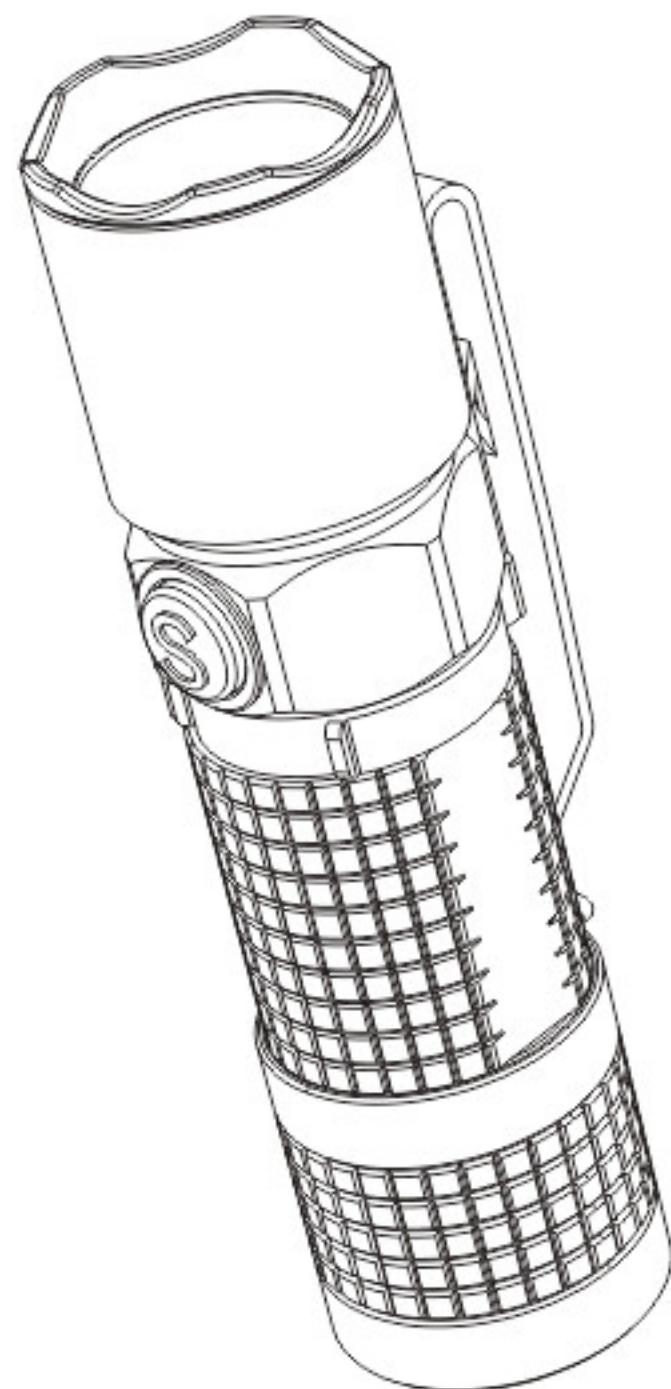
b) Forward-motion tail switch: lightly press the tail switch will perform momentary-on, while continuous quick click for highest output (twice) or strobe (triple) from OFF position, further hard press will acquiesce in outputs. Under on status, heavy press will power off the light.

Output VS Runtime (See Figure 4)

Specifications

Material	Aluminum body with anti-scratching type III Hard Anodization
Dimension	(L)93mm x (D)23mm
Weight	54.5g(without battery)
LED	Cree XM-L2 LED
Battery	CR123A or RCR123
Reflector	Orange Peel Reflector
*Output and Runtime	350 lumens /1h15min 80 lumens /7h30min 5 lumens /4d12h
Special Mode	Strobe 10Hz
Peak Beam intensity	2,880 cd
Beam Distance	107m
Waterproof	IPX 8
Impact resistance	2m

Note: the above test uses 1* 3V1500mAh CR123A battery



LED FLASHLIGHT
Model: M10 Maverick
CREE XM-L2 LED

EN User's manual
中文 用户手册



Olight Technology Co., Limited
Address: 2/F East, Building A, B3 Block,
Fuhai Industrial Park, Fuyong, Bao'an
District, Shenzhen, China 518103
Tel: +86-755-81452608/81452618
Fax: +86-755-81452508
E-mail: service@olightworld.com
www.olightworld.com

深圳市欧莱特科技有限公司
地址: 深圳市宝安区福永镇福海工业区
B3区A栋二楼东
电话: 0755-81452608/81452618
传真: 0755-81452508
E-mail: service@olightworld.com
www.olightworld.com



www.DrMemory.com/Olight

中文

感谢您购买Olight LED手电筒, 在使用前请详细阅读说明书, 本说明书适用于M10 独行侠。

M10 独行侠(简称M10) 是为战术应用设计的迷你LED手电。它源于Olight S10, 但更优。M10增加富有攻击性的不锈钢头部、尾部战术开关, 简化输出亮度档位的操作, 操控更人性化; 装配最新CREE第二代XM-L LED、高度优化光面反光杯, 输出峰值光强提升60%, 光通量高达350流明。

M10兼容CR123A与RCR123A电池, 内置高效率的同步恒流驱动电路以及精密光-热平衡控制程序, 完美协调手电输出亮度与运行时间; 以简约、轻质、创新、可靠理念设计的结构体坚实耐用, 完善的配件(枪平、滤镜、线控)扩展产品用途, 它适于执法、军警、打猎、户外等。

产品部件 (见Figure 1)

操作说明

1. 电池安装: (见 Figure 2)

按照图所示装入电池, 电池正极朝向手电筒头部。

2. 使用手电: (见 Figure 3)

a) 开机状态下, 头部侧按键改变输出亮度, 每按键一次, 输出按低-中-高顺序改变一次, 常按输出暴闪;

b) 关机状态下, 轻按瞬时点亮, 快速连续轻按2次输出高亮, 快速连续轻按3次输出暴闪, 重按下选定输出; 开机状态下, 重按关机。

运行曲线 (见Figure 4)

规格参数

材料	铝合金, 表面三级硬质氧化
尺寸	长93毫米, 直径23毫米
重量	54.5克(不带电池)
LED	Cree XM-L2 LED
电池	CR123A or RCR123
反光杯	光面杯
*输出亮度及运行时间	350流明 / 1小时15分钟 80流明 / 7小时30分钟 5流明 / 4天12小时
特殊模式	暴闪 10赫兹
中心光强度	2880坎德拉
最大射程	107米
防水	IPX 8
抗冲击	2米

备注: 使用 1节3V 1500mAh CR123A 电池测试

Included Items / 包装清单



M10 Maverick / 手电 x 1
Manual (This manual) / 说明书 (本说明书)
Warranty Card / 保修卡

Figure 1 Product parts/产品部件

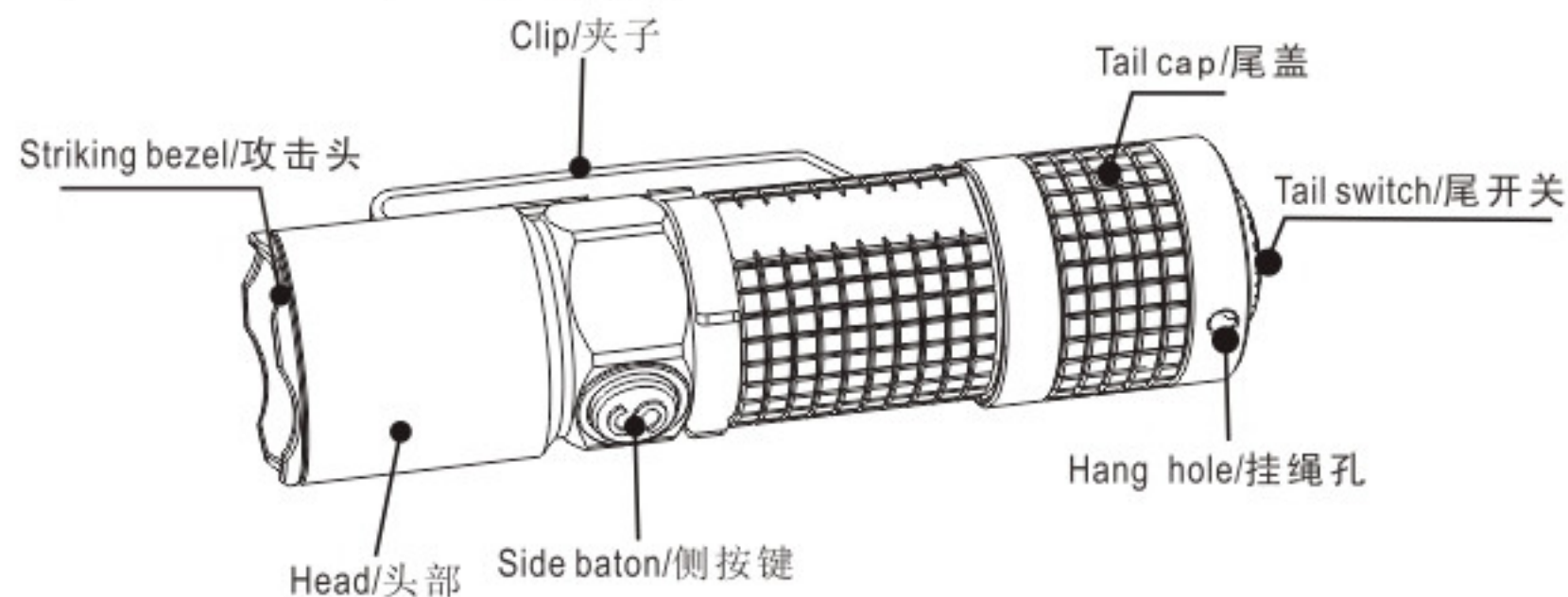


Figure 2 Battery installation/电池安装

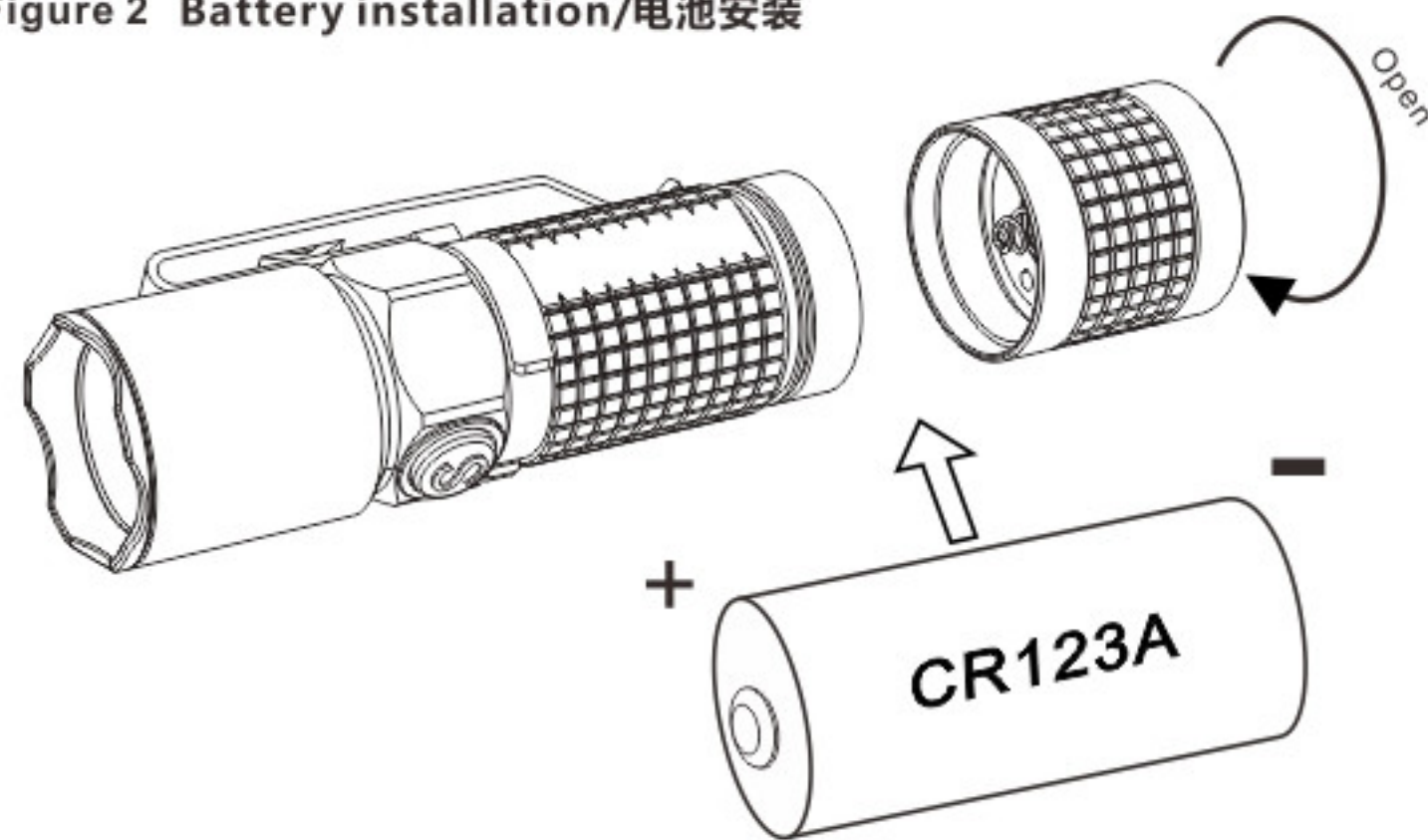


Figure 3 User interface / 用户操作界面

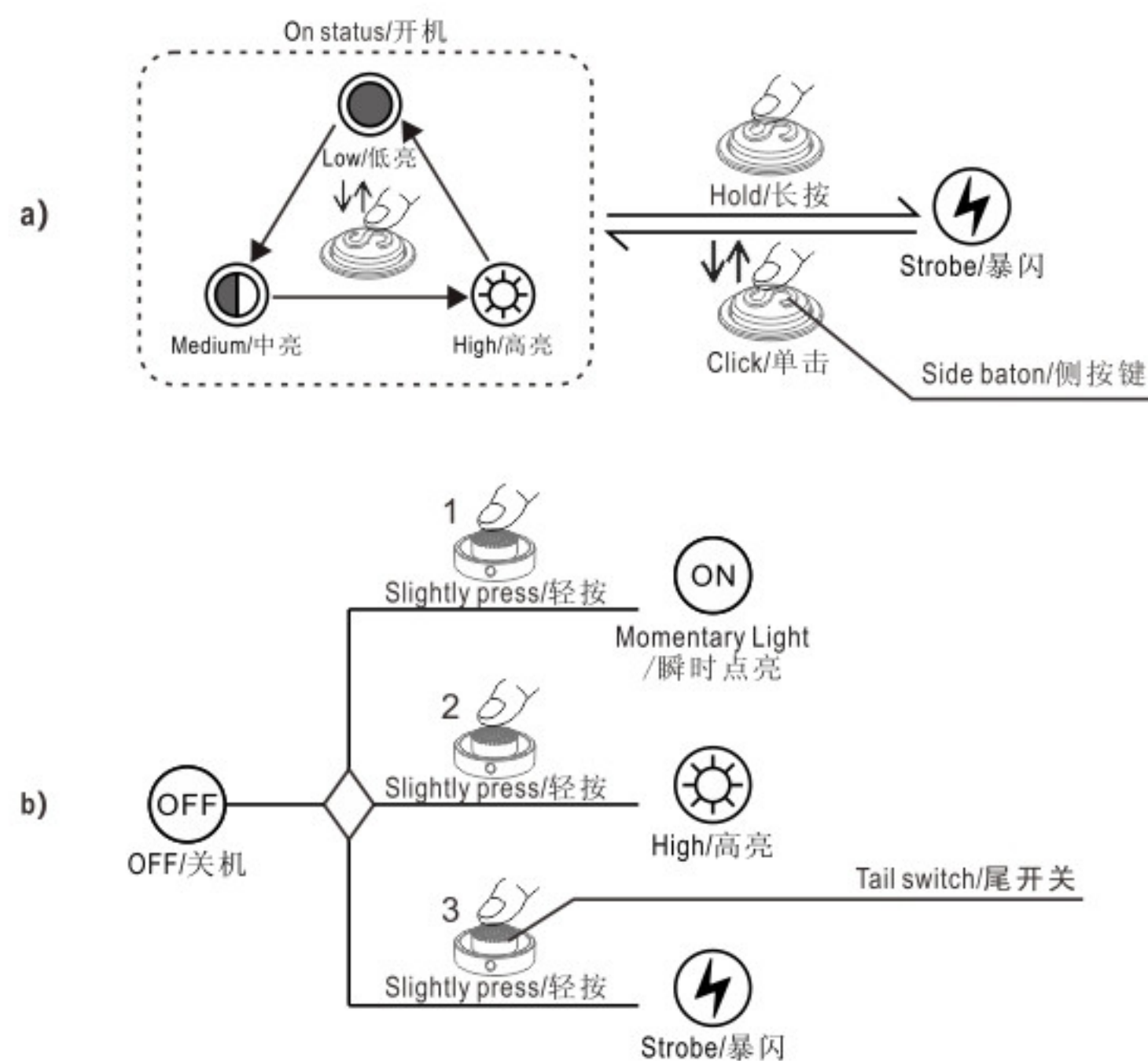


Figure 4 Output VS Runtime/运行曲线

